

Ceiling/Floor Mount

ROOM AIR CONDITIONER

Installation Manual



IMPORTANT NOTE:

Read this manual carefully before installing or operating your new air conditioning unit. Make sure to save this manual for future reference.

CONTENTS

SAFETY PRECAUTIONS	02
PRODUCT OVERVIEW	09
PRODUCT INSTALLATION	10
REFRIGERANT PIPING CONNECTION	21
WIRING PRECAUTIONS	24
AIR EVACUATION	27
NOTE ON ADDING REFRIGERANT	28
TEST RUN	29
PACKING AND UNPACKING THE UNIT	30

SAFETY PRECAUTIONS

It is really important you read Safety Precautions Before Operation and Installation. Incorrect installation due to ignoring instructions can cause serious damage or injury. The seriousness of potential damage or injuries is classified as either a WARNING or CAUTION.

Explanation of Symbols



WARNING

This symbol indicates the possibility of personal injury or loss of life.



CAUTION

This symbol indicates the possibility of property damage or serious consequences.

WARNING

This appliance is not intended for use by persons (including children) with reduced physical, sensory or mental capabilities, or lack of experience and knowledge, unless they have been given supervision or instruction concerning use of the appliance by a person responsible for their safety. Children should be supervised to ensure that they do not play with the appliance.

ELECTRICAL WARNINGS

- Only use the specified wire. If the wire is damaged, it must be replaced by the manufacturer, its service agent or similarly qualified persons in order to avoid a hazard.
- The product must be properly grounded at the time of installation, or electric shock may occur.
- For all electrical work, follow all local and national wiring standards, regulations, and the Installation Manual. Connect cables tightly, and clamp them securely to prevent external forces from damaging the terminal. Improper electrical connections can overheat and cause fire, and may also cause shock. All electrical connections must be made according to the Electrical Connection Diagram located on the panels of the indoor and outdoor units.
- All wiring must be properly arranged to ensure that the control board cover can close properly. If the control board cover is not closed properly, it can lead to corrosion and cause the connection points on the terminal to heat up, catch fire, or cause electrical shock.
- Disconnection must be incorporated in the fixed wiring in accordance with the wiring rules.
- Do not share the electrical outlet with other appliances. Improper or insufficient power supply can cause fire or electric shock.
- If connecting power to fixed wiring, an all-pole disconnection device which has at least 3mm clearances in all poles, and have a leakage current that may exceed 10mA, the residual current device (RCD) having a rated residual operating current not exceeding 30mA, and disconnection must be incorporated in the fixed wiring in accordance with the wiring rules.

⚠ WARNINGS FOR PRODUCT INSTALLATION

- Turn off the air conditioner and disconnect the power before performing any installation or repairing. Failure to do so can cause electric shock.
- Installation must be performed by an authorized dealer or specialist. Defective installation can cause water leakage, electrical shock, or fire.
- Installation must be performed according to the installation instructions. Improper installation can cause water leakage, electrical shock, or fire. Contact an authorized service technician for repair or maintenance of this unit.
- This appliance shall be installed in accordance with national wiring regulations. Only use the included accessories, parts, and specified parts for installation.
- Using non-standard parts can cause water leakage, electrical shock, fire, and can cause the unit to fail.
- Install the unit in a firm location that can support the unit's weight. If the chosen location cannot support the unit's weight, or the installation is not done properly, the unit may drop and cause serious injury and damage.
- Install drainage piping according to the instructions in this manual. Improper drainage may cause water damage to your home and property.
- For units that have an auxiliary electric heater, do not install the unit within 1 meter (3 feet) of any combustible materials.
- For the units that have a wireless network function, the USB device access, replacement, maintenance operations must be carried out by professional staff.
- Do not install the unit in a location that may be exposed to combustible gas leaks. If combustible gas accumulates around the unit, it may cause fire.
- Do not turn on the power until all work has been completed.
- When moving or relocating the air conditioner, consult experienced service technicians for disconnection and reinstallation of the unit.
- How to install the appliance to its support, please read the information for details in "indoor unit installation" and "outdoor unit installation" sections .

TAKE NOTE OF FUSE SPECIFICATIONS

The air conditioner's circuit board (PCB) is designed with a fuse to provide overcurrent protection. The specifications of the fuse are printed on the circuit board , for example : T3.15AL/250VAC, T5AL/250VAC, T3.15A/250VAC, T5A/250VAC, T20A/250VAC, T30A/250VAC,etc.

NOTE: Only the blast-proof ceramic fuse can be used.

⚠ WARNING FOR USING FLAMMABLE REFRIGERANTS

- Do not use means to accelerate the defrosting process or to clean, other than those recommended by the manufacturer.
- The appliance shall be stored in a room without continuously operating ignition sources (for example: open flames, an operating gas appliance or an operating electric heater).
- Do not pierce or burn.
- Be aware that refrigerants may not contain an odour.

For R454B refrigerant charge amount and minimum room area:

The machine you purchased may be one of the types in the table below. The indoor and outdoor units are designed to be used together. Please check the machine you purchased. The height of the room cannot be less than 7.3ft/2.2m, and the minimum room area of operating or storage should be as specified in the following table:

Model	Indoor unit	Outdoor unit
36K	GVHLA36R2AS1	ESHUA36R2AN1
48K	GVHLA48R2AS1	ESHUA48R2AN1

NOTE: This air conditioner can be installed on the wall or suspended from the ceiling.

A_{min} [ft ² /m ²]	h_{inst}[ft/m]				
m_c or m_{REL} [ozs/kg]	6.0~7.3/ 1.8~2.2	7.9/2.4	8.6/2.6	9.2/2.8	9.9/3.0
≤62.6/1.776	12/1.10				
63.4/1.8	60/5.53	55/5.07	51/4.68	47/4.35	44/4.06
70.5/2.0	67/6.15	61/5.64	56/5.20	52/4.83	49/4.51
77.5/2.2	73/6.76	67/6.20	62/5.72	58/5.31	54/4.96
84.6/2.4	80/7.38	73/6.76	68/6.24	63/5.80	59/5.41
91.7/2.6	86/7.99	79/7.32	73/6.76	68/6.28	64/5.86
98.7/2.8	93/8.60	85/7.89	79/7.28	73/6.76	68/6.31
105.8/3.0	100/9.22	91/8.45	84/7.80	78/7.24	73/6.76
112.8/3.2	106/9.83	97/9.01	90/8.32	84/7.73	78/7.21
119.9/3.4	113/10.45	104/9.58	96/8.84	89/8.21	82/7.66
126.9/3.6	120/11.06	110/10.14	101/9.36	94/8.69	88/8.11
134/3.8	126/11.68	116/10.70	107/9.88	99/9.17	93/8.56
141.0/4.0	133/12.29	122/11.27	112/10.40	104/9.66	97/9.01
148.1/4.2	139/12.90	128/11.83	118/10.92	110/10.14	102/9.46
155.1/4.4	146/13.52	134/12.39	124/11.44	115/10.62	107/9.91
162.2/4.6	153/14.13	140/12.96	129/11.96	120/11.11	112/10.37
169.2/4.8	159/14.75	146/13.52	135/12.48	125/11.59	117/10.82
176.3/5.0	166/15.36	152/14.08	140/13.00	130/12.07	122/11.27
Area formula	<p>A_{min} is the required minimum room area in ft²/m² m_c is the actual refrigerant charge in the system in oz/kg m_{REL} is the refrigerant releasable charge in oz/kg h_{inst} is the height of the bottom of the appliance relative to the floor of the room after installation.</p> <p>WARNING: The minimum room area or minimum room area of conditioned space is based on releasable charge and total system refrigerant charge.</p>				

A_{min} [ft²/m²]	h_{inst}[ft/m]		
m_c or m_{REL} [oz/kg]	0	0.7~2.0 0.2~0.6	2.7~4.0 0.8~1.2
≤62.6/1.776	12/1.10		
63.4/1.8	60/5.53	60/5.53	60/5.53
70.5/2.0	67/6.15	67/6.15	67/6.15
77.5/2.2	73/6.76	73/6.76	73/6.76
84.6/2.4	80/7.38	80/7.38	80/7.38
91.7/2.6	86/7.99	86/7.99	86/7.99
98.7/2.8	93/8.60	93/8.60	93/8.60
105.8/3.0	100/9.22	100/9.22	100/9.22
112.8/3.2	106/9.83	106/9.83	106/9.83
119.9/3.4	113/10.45	113/10.45	113/10.45
126.9/3.6	120/11.06	120/11.06	120/11.06
134/3.8	126/11.68	126/11.68	126/11.68
141.0/4.0	133/12.29	133/12.29	133/12.29
148.1/4.2	139/12.90	139/12.90	139/12.90
155.1/4.4	146/13.52	146/13.52	146/13.52
162.2/4.6	153/14.13	153/14.13	153/14.13
169.2/4.8	159/14.75	159/14.75	159/14.75
176.3/5.0	166/15.36	166/15.36	166/15.36
Area formula	<p>A_{min} is the required minimum room area in ft²/m² m_c is the actual refrigerant charge in the system in oz/kg m_{REL} is the refrigerant releasable charge in oz/kg h_{inst} is the height of the bottom of the appliance relative to the floor of the room after installation.</p> <p>WARNING: The minimum room area or minimum room area of conditioned space is based on releasable charge and total system refrigerant charge.</p>		

When the unit detects a refrigerant leak, the minimum airflow of the indoor unit is as follows:

Model	18K	24K	36K	48K	60K
Nominal air volume	577CFM (980m ³ /h)	736CFM (1250m ³ /h)	1224CFM (2080m ³ /h)	1353CFM (2300m ³ /h)	1365CFM (2320m ³ /h)

1. Installation (where refrigerant pipes are allowed)

- Any person who is involved with working on or breaking into a refrigerant circuit should hold a current valid certificate from an industry-accredited assessment authority, which authorises their competence to handle refrigerants safely in accordance with an industry recognised assessment specification.
- Maintenance and repair requiring the assistance of other skilled personnel shall be carried out under the supervision of the person competent in the use of flammable refrigerants.
- That the installation of pipe-work shall be kept to a minimum.
- That pipe-work shall be protected from physical damage.
- Where refrigerant pipes shall be compliance with national gas regulations.
- That mechanical connections shall be accessible for maintenance purposes.
- Be more careful that foreign matter (oil, water, etc) does not enter the piping. Also, when storing the piping, securely seal the opening by pinching, taping, etc.
- All working procedure that affects safety means shall only be carried by competent persons.
- Appliance shall be stored in a well ventilated area where the room size corresponds to the room area as specified for operation.
- Joints shall be tested with detection equipment with a capability of 5 g/year of refrigerant or better, with the equipment in standstill and under operation or under a pressure of at least these standstill or operation conditions after installation. Detachable joints shall NOT be used in the indoor side of the unit (brazed, welded joint could be used).
- In cases that require mechanical ventilation, ventilation openings shall be kept clear of obstruction.
- LEAK DETECTION SYSTEM installed. Unit must be powered except for service. For the unit with refrigerant sensor, when the refrigerant sensor detects refrigerant leakage, the indoor unit will display a error code and emit a buzzing sound, the compressor of outdoor unit will immediately stop, and the indoor fan will start running. The service life of the refrigerant sensor is 15 years. When the refrigerant sensor malfunctions, the indoor unit will display the error code "FHCC". The refrigerant sensor can not be repaired and can only be replaced by the manufacture. It shall only be replaced with the sensor specified by the manufacture.

2. When a **FLAMMABLE REFRIGERANT** is used, the requirements for installation space of appliance and/or ventilation requirements are determined according to

- the mass charge amount (M) used in the appliance,
- the installation location,
- the type of ventilation of the location or of the appliance.
- piping material, pipe routing, and installation shall include protection from physical damage in operation and service, and be in compliance with national and local codes and standards, such as ASHRAE 15, IAPMO Uniform Mechanical Code, ICC International Mechanical Code, or CSA B52. All field joints shall be accessible for inspection prior to being covered or enclosed.
- that protection devices, piping, and fittings shall be protected as far as possible against adverse environmental effects, for example, the danger of water collecting and freezing in relief pipes or the accumulation of dirt and debris;
- that piping in refrigeration systems shall be so designed and installed to minimize the likelihood of hydraulic shock damaging the system;
- that steel pipes and components shall be protected against corrosion with a rustproof coating before applying any insulation;
- that precautions shall be taken to avoid excessive vibration or pulsation;
- the minimum floor area of the room shall be mentioned in the form of a table or a single figure without reference to a formula;
- after completion of field piping for split systems, the field pipework shall be pressure tested with an inert gas and then vacuum tested prior to refrigerant charging, according to the following requirements:
 - a. The minimum test pressure for the low side of the system shall be the low side design pressure and the minimum test pressure for the high side of the system shall be the high side design pressure, unless the high side of the system can

not be isolated from the low side of the system in which case the entire system shall be pressure tested to the low side design pressure.

- b. The test pressure after removal of pressure source shall be maintained for at least 1 h with no decrease of pressure indicated by the test gauge, with test gauge resolution not exceeding 5% of the test pressure.
 - c. During the evacuation test, after achieving a vacuum level specified in the manual or less, the refrigeration system shall be isolated from the vacuum pump and the pressure shall not rise above 1500 microns within 10 min. The vacuum pressure level shall be specified in the manual, and shall be the lessor of 500 microns or the value required for compliance with national and local codes and standards, which may vary between residential, commercial, and industrial buildings.
- field-made refrigerant joints indoors shall be tightness tested according to the following requirements: The test method shall have a sensitivity of 5 grams per year of refrigerant or better under a pressure of at least 0,25 times the maximum allowable pressure. No leak shall be detected.

3 . Qualification of workers

Any maintenance, service and repair operations must be required qualification of the working personnel. Every working procedure that affects safety means shall only be carried out by competent persons that joined the training and achieved competence should be documented by a certificate. The training of these procedures is carried out by national training organizations or manufacturers that are accredited to teach the relevant national competency standards that may be set in legislation. All training shall follow the ANNEX HH requirements of UL 60335-2-40 4th Edition.

Examples for such working procedures are:

- breaking into the refrigerating circuit;
- opening of sealed components;
- opening of ventilated enclosures.

4. Ventilated area

Ensure that the area is in the open or that it is adequately ventilated before breaking into the system or conducting any hot work. A degree of ventilation shall continue during the period that the work is carried out. The ventilation should safely disperse any released refrigerant and preferably expel it externally into the atmosphere.

5. Cabling

Check that cabling will not be subject to wear, corrosion, excessive pressure, vibration, sharp edges or any other adverse environmental effects. The check shall also take into account the effects of aging or continual vibration from sources such as compressors or fans.

6. Detection of flammable refrigerants

Under no circumstances shall potential sources of ignition be used in the searching for or detection of refrigerant leaks. A halide torch (or any other detector using a naked flame) shall not be used.

The following leak detection methods are deemed acceptable for refrigerant systems. Electronic leak detectors may be used to detect refrigerant leaks but, in the case of FLAMMABLE REFRIGERANTS, the sensitivity may not be adequate, or may need re-calibration. (Detection equipment shall be calibrated in a refrigerant-free area.) Ensure that the detector is not a potential source of ignition and is suitable for the refrigerant used. Leak detection equipment shall be set at a percentage of the LFL of the refrigerant and shall be calibrated to the refrigerant employed, and the appropriate percentage of gas (25 % maximum) is confirmed. Leak detection fluids are also suitable for use with most refrigerants but the use of detergents containing chlorine shall be avoided as the chlorine may react with the refrigerant and corrode the copper pipe-work.

NOTE Examples of leak detection fluids are

- bubble method,
- fluorescent method agents.

If a leak is suspected, all naked flames shall be removed/extinguished.

If a leakage of refrigerant is found which requires brazing, all of the refrigerant shall be recovered from the system, or isolated (by means of shut off valves) in a part of the system remote from the leak. See the following instructions of removal of refrigerant.

7. Removal and evacuation

When breaking into the refrigerant circuit to make repairs - or for any other purpose conventional procedures shall be used. However, for flammable refrigerants it is important that best practice be followed, since flammability is a consideration.

The following procedure shall be adhered to:

- safely remove refrigerant following local and national regulations;
- evacuate;
- purge the circuit with inert gas (optional for A2L);
- evacuate (optional for A2L);
- continuously flush or purge with inert gas when using flame to open circuit; and open the circuit.

The refrigerant charge shall be recovered into the correct recovery cylinders if venting is not allowed by local and national codes. For appliances containing flammable refrigerants, the system shall be purged with oxygen-free nitrogen to render the appliance safe for flammable refrigerants. This process might need to be repeated several times. Compressed air or oxygen shall not be used for purging refrigerant systems.

For appliances containing flammable refrigerants, refrigerants purging shall be achieved by breaking the vacuum in the system with oxygen-free nitrogen and continuing to fill until the working pressure is achieved, then venting to atmosphere, and finally pulling down to a vacuum (optional for A2L). This process shall be repeated until no refrigerant is within the system (optional for A2L). When the final oxygen-free nitrogen charge is used, the system shall be vented down to atmospheric pressure to enable work to take place.

The outlet for the vacuum pump shall not be close to any potential ignition sources, and ventilation shall be available.

8. Charging procedures

In addition to conventional charging procedures, the following requirements shall be followed:






- Works shall be undertaken with appropriate tools only (In case of uncertainty, please consult the manufacturer of the tools for use with flammable refrigerants)
- Ensure that contamination of different refrigerants does not occur when using charging equipment. Hoses or lines shall be as short as possible to minimize the amount of refrigerant contained in them.
- Cylinders shall be kept upright.
- Ensure that the refrigeration system is earthed prior to charging the system with refrigerant.
- Label the system when charging is complete (if not already).
- Extreme care shall be taken not to overfill the refrigeration system.
- Prior to recharging the system it shall be pressure tested with oxygen free nitrogen (OFN). The system shall be leak tested on completion of charging but prior to commissioning. A follow up leak test shall be carried out prior to leaving the site.

9. Recovery

When removing refrigerant from a system, either for servicing or decommissioning, it is recommended good practice that all refrigerants are removed safely.

When transferring refrigerant into cylinders, ensure that only appropriate refrigerant recovery cylinders are employed. Ensure that the correct number of cylinders for holding the total system charge is available. All cylinders to be used are designated.

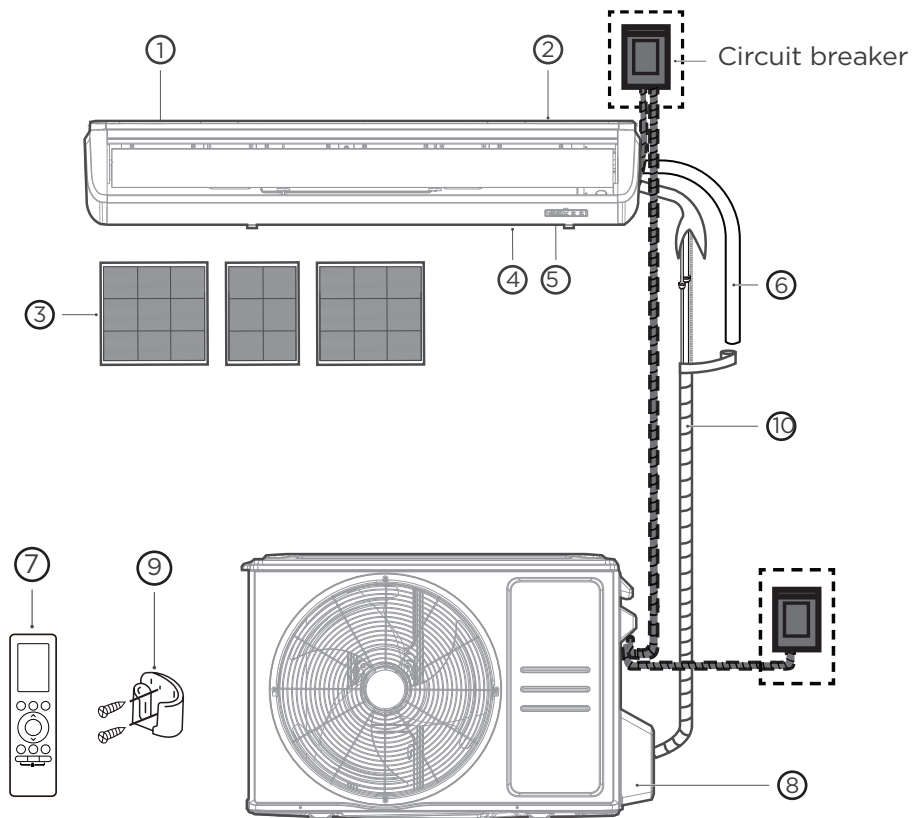
Explanation of symbols displayed on the indoor unit or outdoor unit

	WARNING	This symbol shows that this appliance used a flammable refrigerant. If the refrigerant is leaked and exposed to an external ignition source, there is a risk of fire.
	CAUTION	This symbol shows that the operation manual should be read carefully.
	CAUTION	This symbol shows that a service personnel should be handling this equipment with reference to the installation manual.
	CAUTION	
	CAUTION	This symbol shows that information is available such as the operating manual or installation manual.

PRODUCT OVERVIEW

NOTE ON ILLUSTRATIONS:

Illustrations in this manual are for explanatory purposes. The actual shape of your indoor unit may be slightly different. The actual shape shall prevail.









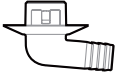
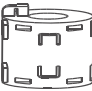







- | | | |
|-------------------------------------|---------------------|--|
| ① Air flow louver (air outlet) | ⑤ Display panel | ⑨ Remote controller holder (purchase separately) |
| ② Installation part | ⑥ Drain pipe | ⑩ Refrigerant piping (purchase separately) |
| ③ Air filter | ⑦ Remote controller | |
| ④ Air inlet (with air filter in it) | ⑧ Outdoor unit | |

PRODUCT INSTALLATION

ACCESSORIES

The air conditioning system comes with the following accessories. Use all of the installation parts and accessories to install the air conditioner. Improper installation may result in water leakage, electrical shock and fire, or cause the equipment to fail. The items are not included with the air conditioner must be purchased separately.

Name of Accessories	Q'ty(pc)	Shape	Name of Accessories	Q'ty(pc)	Shape
Manual	3		Remote controller	1	
Soundproof/insulation sheath	1		Battery	2	
Outlet pipe sheath	1		Remote controller holder(purchase separately)	1	
Outlet pipe clasp	2		Fixing screw for remote controller holder(purchase separately)	2	
Drain joint	1		Magnetic ring	1	
Seal ring (Not available for the outdoor unit with dimensions of 38.58in*38.39in*16.34in)	1		Copper nut	2	
Conduit installation plate	1				
Installation plate	1		Rubber ring	3	

Optional accessories

There are two types of remote controls: wired and wireless.

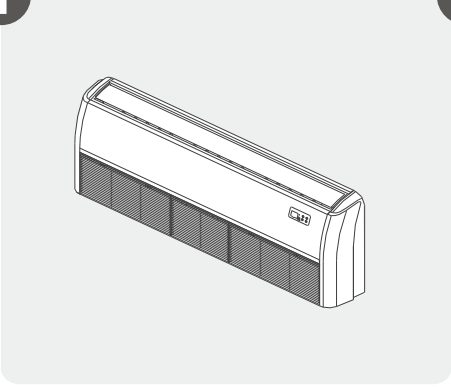
Select a remote controller based on customer preferences and requirements and install in an appropriate place.

Refer to catalogues and technical literature for guidance on selecting a suitable remote controller.

Name	Model	Pipe specification		Remark
		Liquid Side	Gas Side	
Connecting pipe assembly	18K	ø1/4in(ø6.35mm)	ø1/2in(ø12.7mm)	Pipes are not included in the accessories and you need to purchase it separately from the local dealer.
	24K	ø3/8in(ø9.52mm)	ø5/8in(ø16mm)	
	36K	ø3/8in(ø9.52mm)	ø3/4in(ø19mm)	
	48K	ø3/8in(ø9.52mm)	ø3/4in(ø19mm)	
	60K	ø3/8in(ø9.52mm)	ø3/4in(ø19mm)	

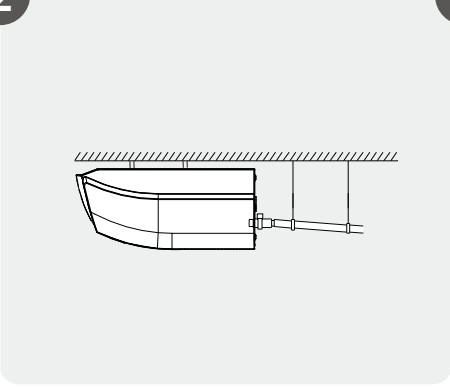
INSTALLATION SUMMARY

1



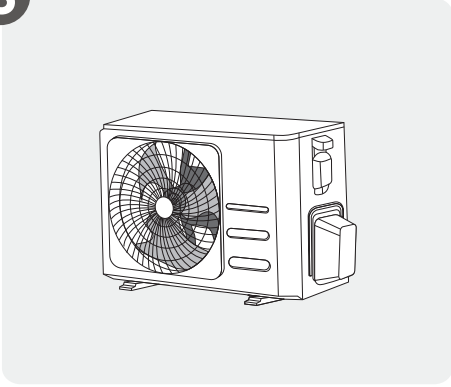
Install the indoor unit

2



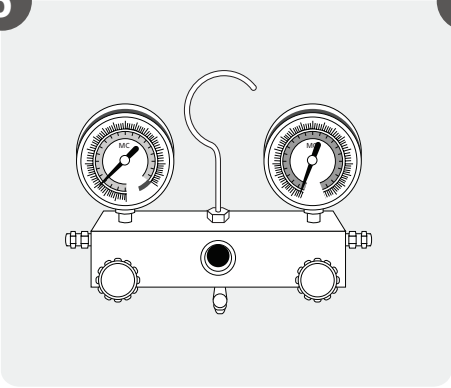
Install the drainpipe

3



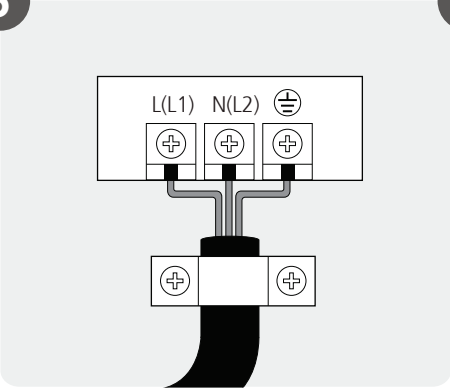
Install the outdoor unit

6



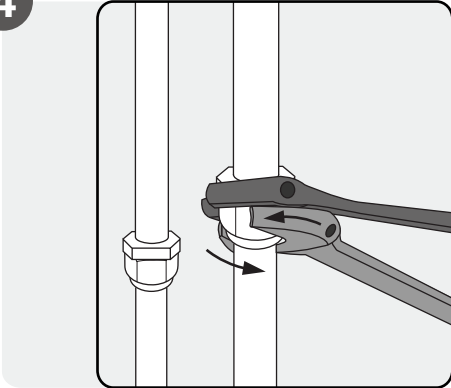
Evacuate the refrigeration system

5



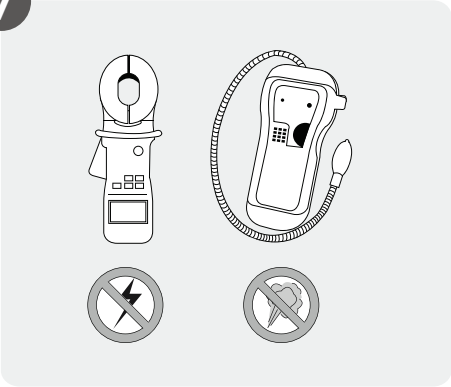
Connect the wires

4



Connect the refrigerant pipes

7



Perform a test run

Install You Indoor Unit

1

Select installation location

NOTE

Before installing the indoor unit, refer to the label on the product box to make sure that the model number of the indoor unit matches the model number of the outdoor unit. Panel installation should be performed after piping and wiring have been completed.

Proper installation locations meet the following standards:

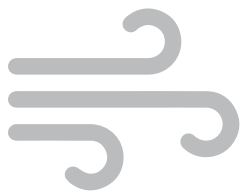


Enough room exists for installation and maintenance.

Enough room exists for the connecting the pipe and drainpipe.

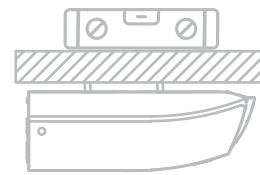


There is no direct radiation from heaters.



The air inlet and outlet are not blocked.

The airflow can fill the entire room.



The ceiling is horizontal and its structure can sustain the weight of the indoor unit.

DO NOT install unit in the following locations:

- ⊘ Areas with oil drilling or fracking
- ⊘ Coastal areas with high salt content in the air
- ⊘ Areas with caustic gases in the air, such as hot springs
- ⊘ Areas that experience power fluctuations, such as factories

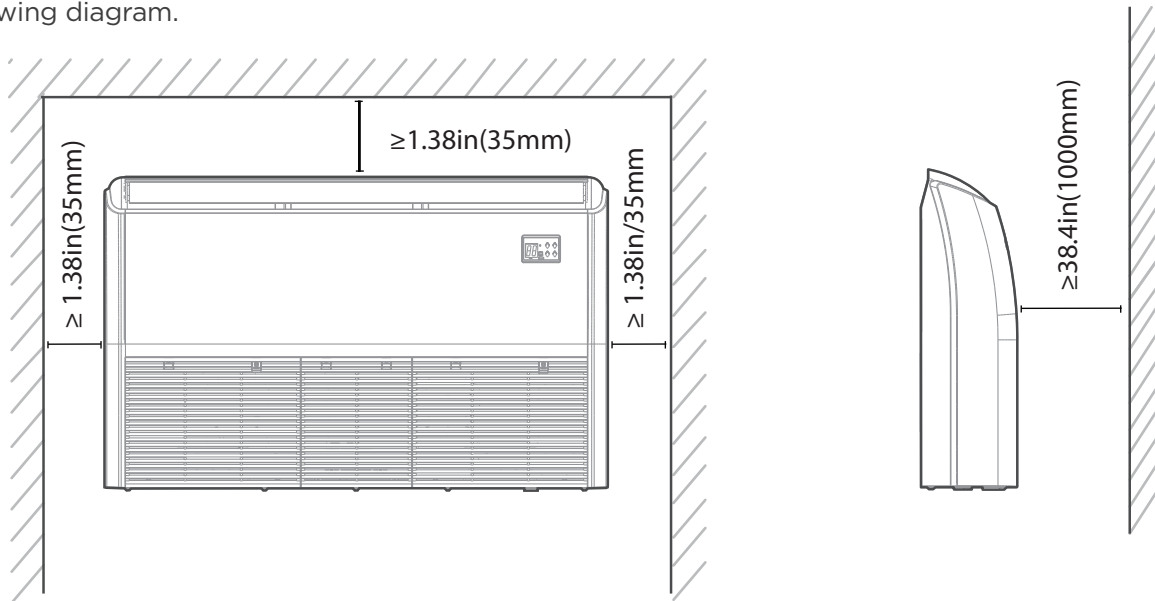
- ⊘ Enclosed spaces, such as cabinets
- ⊘ Kitchens that use natural gas
- ⊘ Areas with strong electromagnetic waves
- ⊘ Areas that store flammable materials or gas
- ⊘ Rooms with high humidity, such as bathrooms or laundry rooms

2

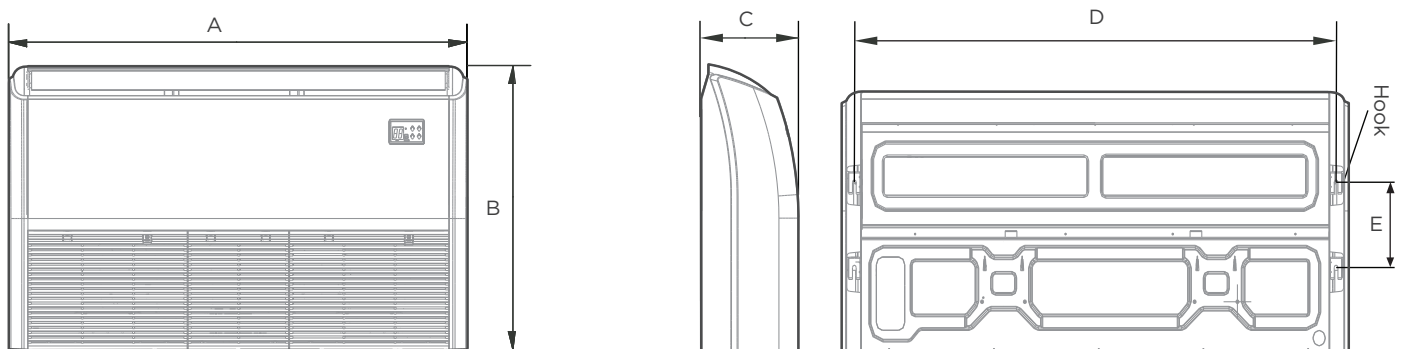
Confirm various sizes

Recommended distances between the indoor unit

The distance between the mounted indoor unit should meet the specifications illustrated in the following diagram.



Indoor parts installation size



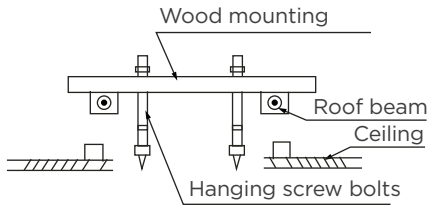
MODEL (Btu/h)	Length of A (inch/mm)	Length of B (inch/mm)	Length of C (inch/mm)	Length of D (inch/mm)	Length of E (inch/mm)
18K-24K	42/1068	26.6/675	9.3/235	38.7/983	8.7/220
36K-60K	65/1650	26.6/675	9.3/235	61.6/1565	8.7/220

3

Hang indoor unit

Wooden structure installation

Place the wood mounting across the roof beam, then install the hanging screw bolts.



New concrete bricks

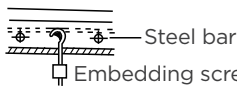
Inlay or embed the screw bolts.



(Blade shape insertion)



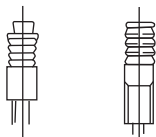
(Slide insertion)



(Pipe hanging and embedding screw bolt)

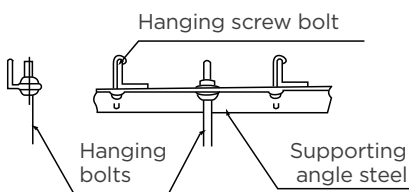
Original concrete bricks

Install the hanging hook with expandable bolt into the concrete to a depth of (17.7in-19.7in)45-50mm to prevent loosening.



Steel roof beam structure

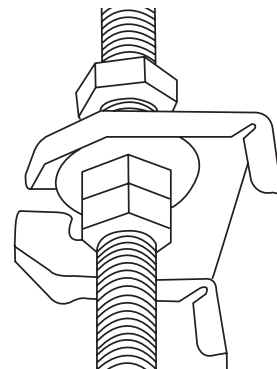
Install and use the supporting steel angle.



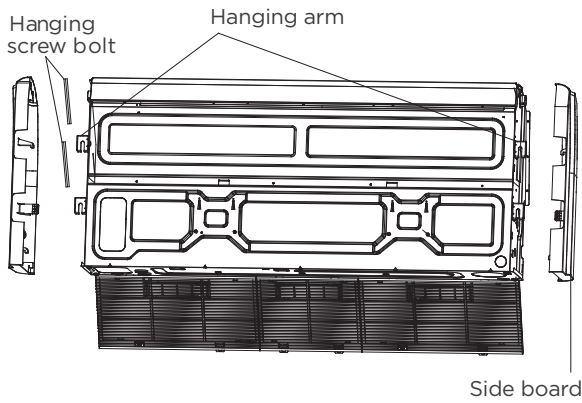
⚠ CAUTION

The unit body must be completely aligned with the hole. Ensure that the unit and the hole are the same size before moving on.

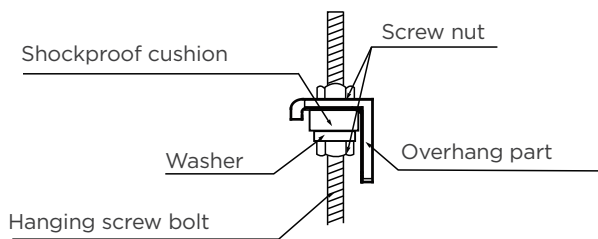
1. Install and fit pipes and wires after you have finished installing the main body. When choosing where to start, determine the direction of the pipes to be drawn out. Especially in cases where there is a ceiling involved, align the refrigerant pipes, drain pipes, and indoor and outdoor lines with their connection points before mounting the unit.
2. The installation of hanging screw bolts.
 - Cut off the roof beam.
 - Strengthen the area at which the cut was made and consolidate the roof beam.
3. After the selection of the installation location, position the refrigerant pipes, drain pipes, and indoor and outdoor wires to the connection points before mounting the machine.
4. Drill 4 holes 4in(10cm) deep at the ceiling hook positions in the internal ceiling. Be sure to hold the drill at a 90° angle to the ceiling.
5. Secure the bolt using the included washers and nuts.
6. Install the four suspension bolts.
7. Mount the indoor unit. You will need two people to lift and secure it. Insert suspension bolts into the unit's hanging holes. Fasten them using the included washers and nuts.



8. Remove the side board and the grille.

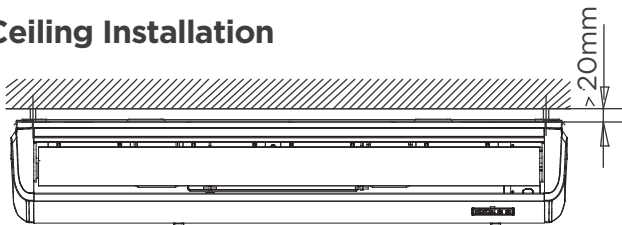


9. Mount the indoor unit onto the hanging screw bolts with a block. Position the indoor unit on a flat level by using a level to prevent leaks.



NOTE: Confirm the minimum drain tilt is 1/100 or more.

Ceiling Installation

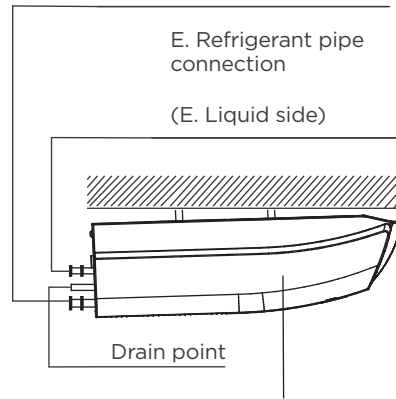


D. Refrigerant pipe connection

(D.gas side)

E. Refrigerant pipe connection

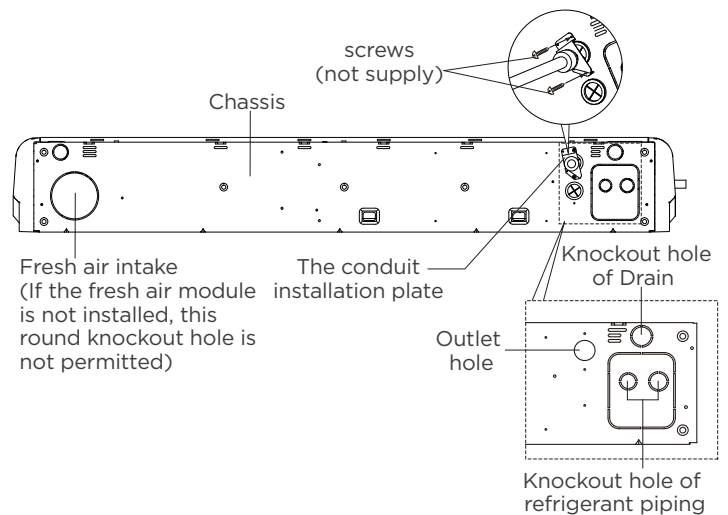
(E. Liquid side)



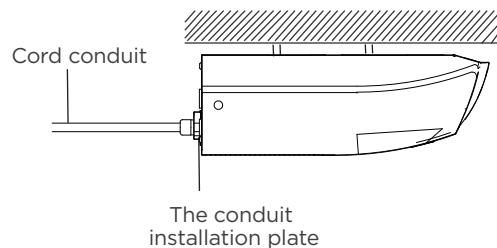
Downward slope between(1-2)/100

How to install the conduit installation plate (if supplied)

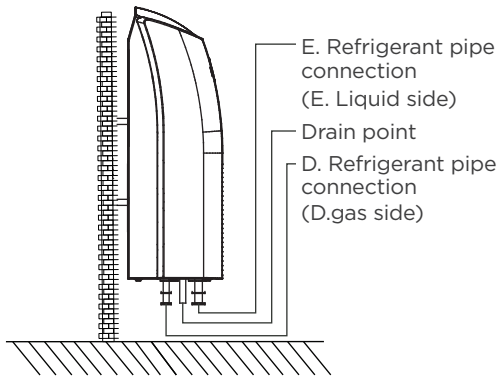
1. Fix the sheath connector of conduit (not supply) on the wire hole of the conduit installation plate.
2. Fix the the conduit installation plate on the chassis of the unit.



NOTE: When installing, open the corre sponding round knockout holes as shown in the illustration, rectangular knockout holes are not permitted.

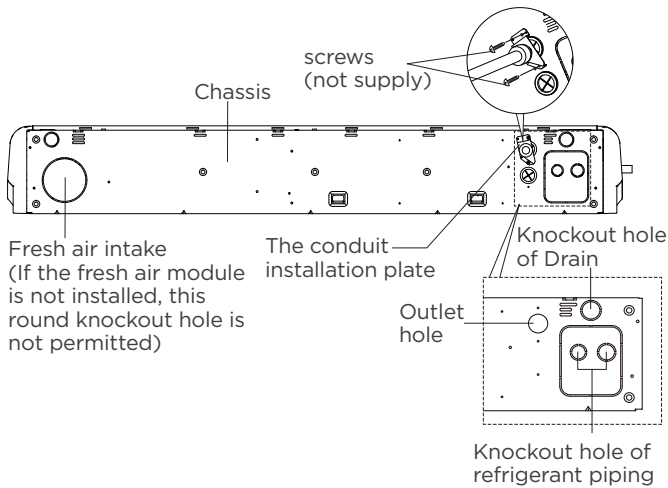


Wall-Mounted Installation



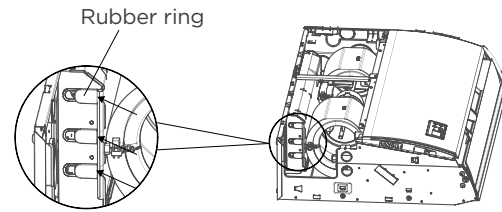
How to install the conduit installation plate (if supplied)

1. Fix the sheath connector of conduit (not supply) on the wire hole of the conduit installation plate.
2. Fix the the conduit installation plate on the chassis of the unit.

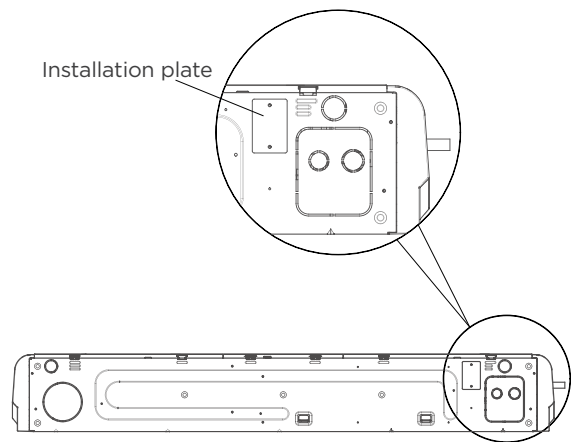


NOTE: When installing, open the corre sponding round knockout holes as shown in the illustration, rectangular knockout holes are not permitted.

The Wire Hole



1. Rubber rings are used to block the excess space in the three crossing holes of the electronic control box.

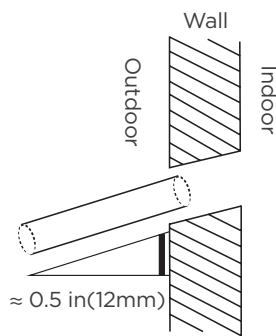


2. The installation plate is used to block the outlet holes at the bottom of the base when out of the side line.

1. Determine the location of the wall hole based on the location of the outdoor unit.
2. Using a 2.5in(65mm) or 3.54in(90mm) core drill, drill a hole in the wall. Make sure that the hole is drilled at a slight downward angle, so that the outdoor end of the hole is lower than the indoor end by about 0.5in(12mm). This will ensure proper water drainage.
3. Place the protective wall cuff in the hole. This protects the edges of the hole and will help seal it when you finish the installation process.

⚠ CAUTION

When drilling the wall hole, make sure to avoid wires, plumbing, and other sensitive components.



4. Connect drain hose

The drainpipe is used to drain water away from the unit. Improper installation may cause unit and property damage.

⚠ CAUTION

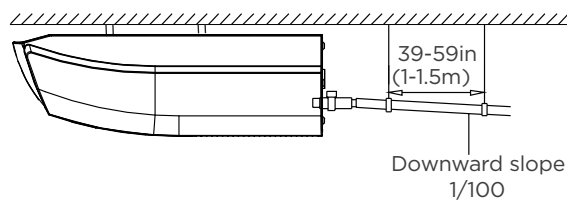
- Insulate all piping to prevent condensation, which could lead to water damage.
- If the drainpipe is bent or installed incorrectly, water may leak and cause a water-level switch malfunction.
- In HEAT mode, the outdoor unit will discharge water. Ensure that the drain hose is placed in an appropriate area to avoid water damage and slippage.
- **DO NOT** pull the drainpipe forcefully. This could disconnect it.

NOTE ON PURCHASING PIPES

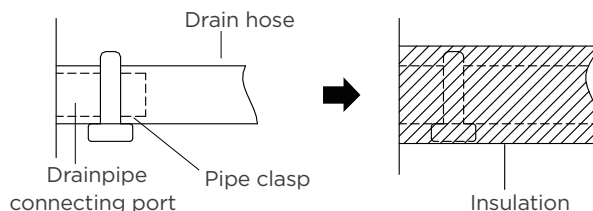
Installation requires a polyethylene tube (exterior diameter = 1.46-1.54in/3.7-3.9cm, interior diameter = 1.26in/3.2cm), which can be obtained at your local hardware store or dealer.

Indoor Drainpipe Installation

Install the drainpipe as illustrated in the following Figure.



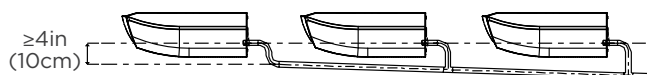
1. Cover the drainpipe with heat insulation to prevent condensation and leakage.
2. Attach the mouth of the drain hose to the unit's outlet pipe. Sheath the mouth of the hose and clip it firmly with a pipe clasp.



NOTE ON DRAINPIPE INSTALLATION

- When using an extended drainpipe, tighten the indoor connection with an additional protection tube to prevent it from pulling loose.
- The drainpipe should slope downward at a gradient of at least 1/100 to prevent water from flowing back into the air conditioner.
- To prevent the pipe from sagging, space hanging wires every 39-59in(1-1.5m).
- Incorrect installation could cause water to flow back into the unit and flood.

NOTE: When connecting multiple drainpipes, install the pipes as illustrated in the following Figure.



3. Pass the drain hose through the wall hole. Make sure the water drains to a safe location where it will not cause water damage or a slipping hazard.

NOTE: The drainpipe outlet should be at least 1.9in (50mm) above the ground. If it touches the ground, the unit may become blocked and malfunction. If you discharge the water directly into a sewer, make sure that the drain has a U or S pipe to catch odors that might otherwise come back into the house.

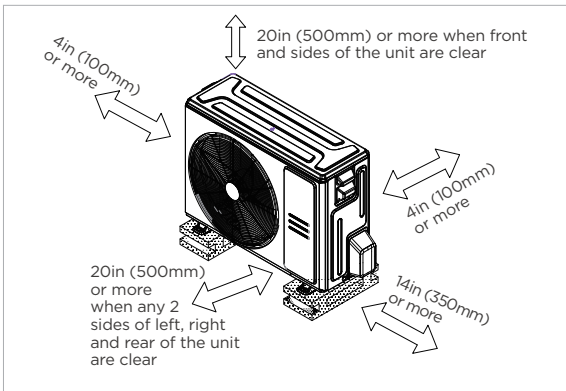
Install Your Outdoor Unit

1 Select installation location

NOTE : PRIOR TO INSTALLATION

Before installing the outdoor unit, you must choose an appropriate location. The following are standards that will help you choose an appropriate location for the unit.

Proper installation locations meet the following standards:



Good air circulation and ventilation.



Firm and solid—the location can support the unit and will not vibrate.



Noise from the unit will not disturb other people.



Protected from prolonged periods of direct sunlight or rain.



Where snowfall is anticipated, take appropriate measures to prevent ice buildup and coil damage.

Meets all spatial requirements shown in Installation Clearance Requirements above.

NOTE Install the unit by following local codes and regulations, there may be differ slightly between different regions.

CAUTION:

SPECIAL CONSIDERATIONS FOR EXTREME WEATHER

If the unit is exposed to heavy wind:

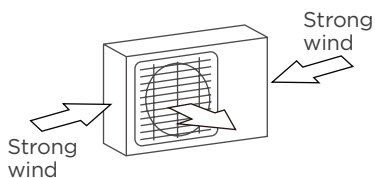
Install unit so that air outlet fan is at a 90° angle to the direction of the wind. If needed, build a barrier in front of the unit to protect it from extremely heavy winds. See Figures below.

If the unit is frequently exposed to heavy rain or snow:

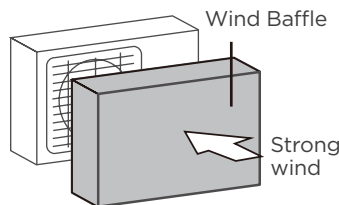
Build a shelter above the unit to protect it from the rain or snow. Be careful not to obstruct air flow around the unit.

If the unit is frequently exposed to salty air(seaside):

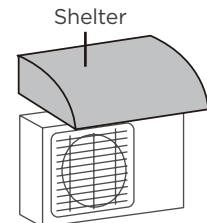
Use outdoor unit that is specially designed to resist corrosion.



90° angle to the direction of the wind



Build a wind Baffle to protect the unit



Build a shelter to protect the unit

DO NOT install unit in the following locations:

- ⊘ Near an obstacle that will block air inlets and outlets.
- ⊘ Near animals or plants that will be harmed by hot air discharge.
- ⊘ In a location that is exposed to large amounts of dust
- ⊘ Near a public street, crowded areas, or where noise from the unit will disturb others.
- ⊘ Near any source of combustible gas.
- ⊘ In a location exposed to a excessive amounts of salty air.

2

Install drain joint(Heat pump unit only)

Before bolting the outdoor unit in place, you must install the drain joint at the bottom of the unit.

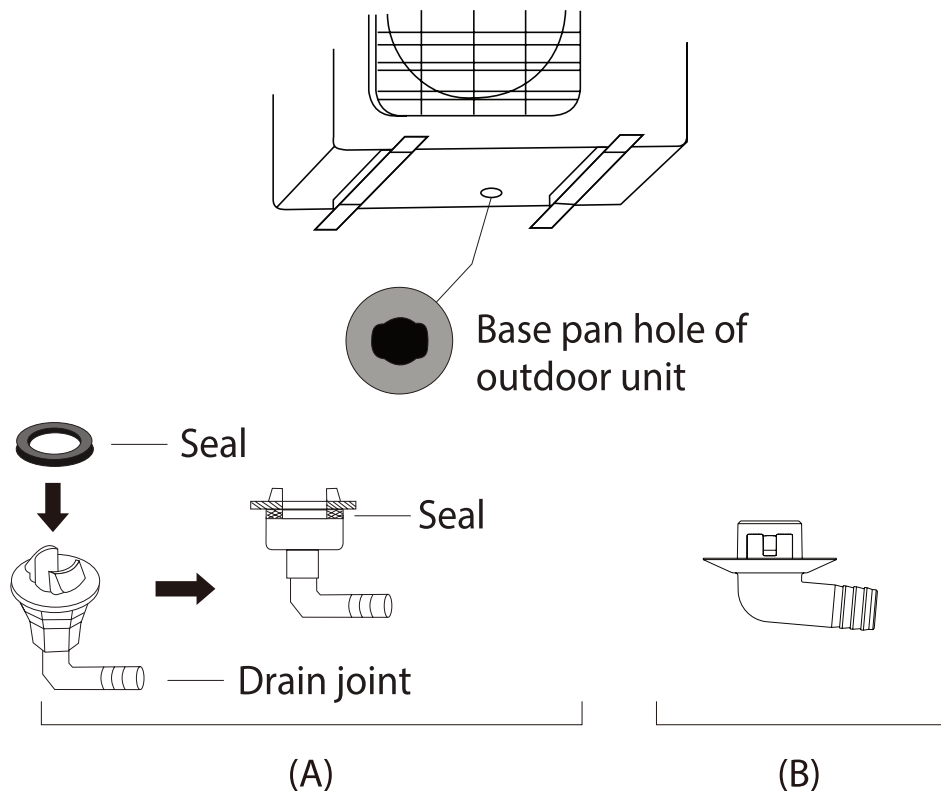
Note that there are two different types of drain joints depending on the type of outdoor unit.

If the drain joint comes with a rubber seal(see **Fig.A**), do the following:

1. Fit the rubber seal on the end of the drain joint that will connect to the outdoor unit.
2. Insert the drain joint into the hole in the base pan of the unit.
3. Rotate the drain joint 90° until it clicks in place facing the front of the unit.
4. Connect a drain hose extension (not included) to the drain joint to redirect water from the unit during heating mode.

If the drain joint doesn't come with a rubber seal (see **Fig. B**), do the following:

1. Insert the drain joint into the hole on the base pan, press firmly to ensure it is properly installed and will not become loose.
2. Connect a drain hose extension (not included) to the drain joint to redirect water from the unit during heating mode.



! IN COLD CLIMATES

In cold climates, make sure that the drain hose is as vertical as possible to ensure swift water drainage. If water drains too slowly, it can freeze in the hose and flood the unit.

3

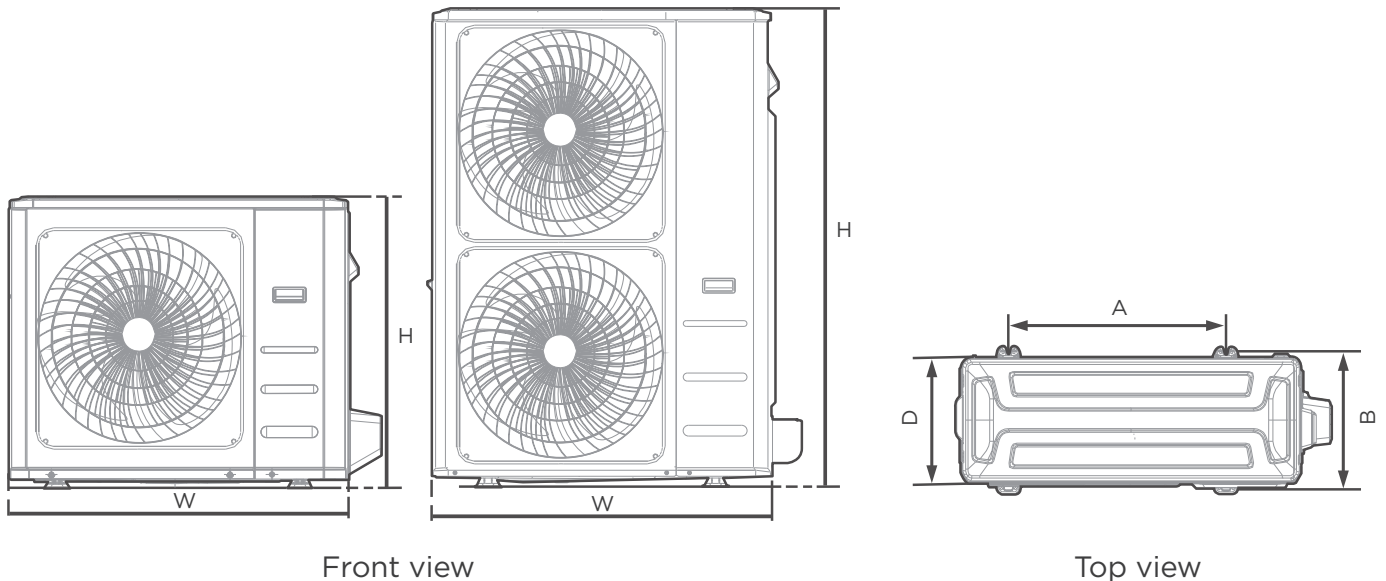
Anchor Outdoor Unit

⚠ WARNING

WHEN DRILLING INTO CONCRETE, EYE PROTECTION IS RECOMMENDED AT ALL TIME.

- The outdoor unit can be anchored to the ground or to a wall-mounted bracket with bolt(M10). Prepare the installation base of the unit according to the dimensions below.
- The following is a list of different outdoor unit sizes and the distance between their mounting feet. Prepare the installation base of the unit according to the dimensions below.

Outdoor Unit Types and Specifications (Split Type Outdoor Unit)



Front view

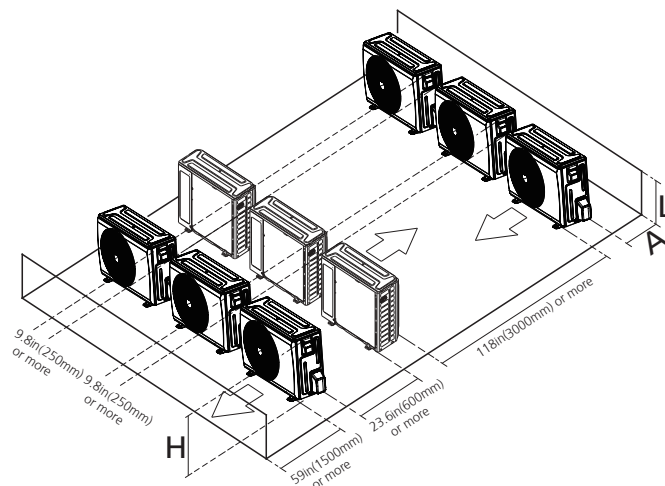
Top view

Outdoor Unit Dimensions W x H x D	Mounting Dimensions	
	Distance A	Distance B
35.0inx 26.5inx 13.5in (890mmx673mmx342mm)	26.1in (663mm)	13.9in (354mm)
37.2inx31.9inx16.14in (946mmx810mmx410mm)	26.5in (673mm)	15.87in (403mm)
37.5inx52.5inx16.34in (952mmx1333mmx415mm)	24.96in (634mm)	15.9in (404mm)
38.58inX38.39inX16.34in (980mmX975mmX415mm)	24.25in (616mm)	15.63in (397mm)

Rows of series installation

The relations between H, A and L are as follows.

	L	A
L ≤ H	$L \leq 1/2H$	9.8in(250mm) or more
	$1/2H < L \leq H$	11.8in(300mm) or more
L > H	Can not be installed	



REFRIGERANT PIPING CONNECTION

When connecting refrigerant piping, **DO NOT** let substances or gases other than the specified refrigerant enter the unit. The presence of other gases or substances will lower the unit's capacity, and can cause abnormally high pressure in the refrigeration cycle. This can cause explosion and injury.

Notes on pipe length and elevation

The maximum length and drop height based on models.

Model	Length of piping	Maximum drop height
18K	98.4ft/30m	65.6ft/20m
24K	164ft/50m	82ft/25m
36/48K/60K	246ft/75m	98.4ft/30m

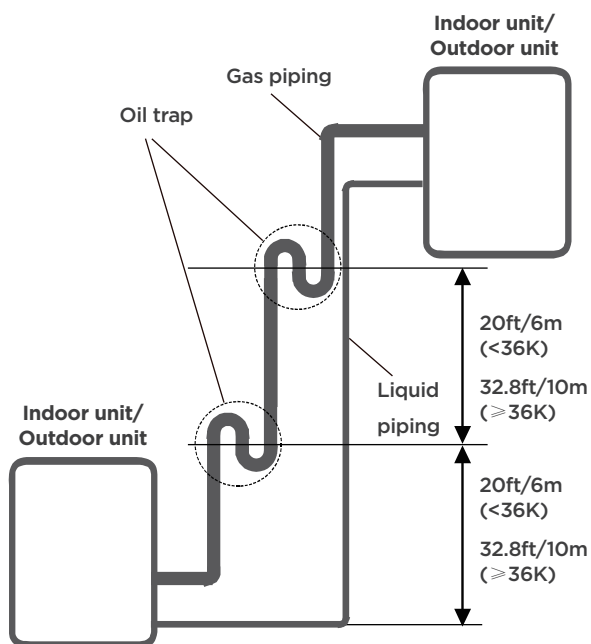
Ensure that the length of the refrigerant pipe, the number of bends, and the drop height between the indoor and outdoor units meets the requirements shown in the table next to it:

⚠ CAUTION

Oil traps

If oil flows back into the outdoor unit's compressor, this might cause liquid compression or deterioration of oil return. Oil traps in the rising gas piping can prevent this.

An oil trap should be installed every 20ft(6m) of vertical suction line riser (<36K). An oil trap should be installed every 32.8ft(10m) of vertical suction line riser (≥36K).



Connection Instructions—Refrigerant Piping

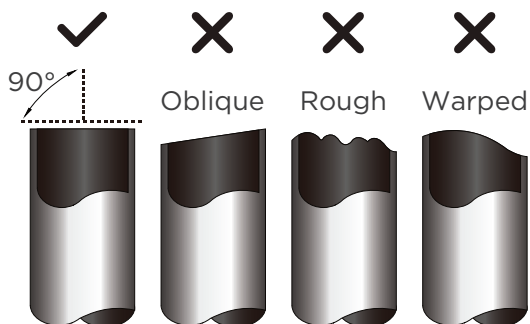
⚠ CAUTION

- The branching pipe must be installed horizontally. An angle of more than 10° may cause malfunction.
- **DO NOT** install the connecting pipe until both indoor and outdoor units have been installed.
- Insulate both the gas and liquid piping to prevent condensation.

Step 1: Cut pipes

When preparing refrigerant pipes, take extra care to cut and flare them properly. This will ensure efficient operation and minimize the need for future maintenance.

- Measure the distance between the indoor and outdoor units.
- Using a pipe cutter, cut the pipe a little longer than the measured distance.
- Make sure that the pipe is cut at a perfect 90° angle.



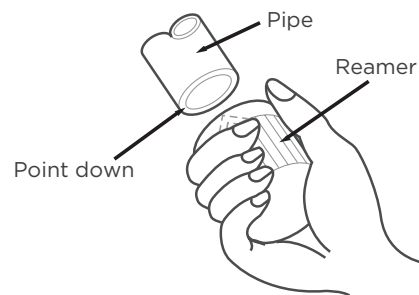
💡 DO NOT DEFORM PIPE WHILE CUTTING

Be extra careful not to damage, dent, or deform the pipe while cutting. This will drastically reduce the heating

Step 2: Remove burrs

Burrs can affect the air-tight seal of refrigerant piping connection. They must be completely removed.

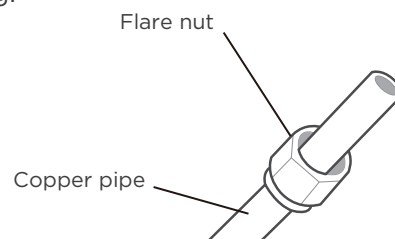
- Hold the pipe at a downward angle to prevent burrs from falling into the pipe.
- Using a reamer or deburring tool, remove all burrs from the cut section of the pipe.



Step 3: Flare pipe ends

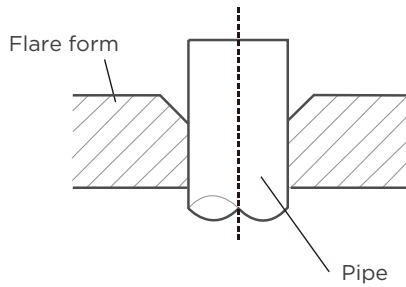
Proper flaring is essential to achieve an airtight seal.

- After removing burrs from cut pipe, seal the ends with PVC tape to prevent foreign materials from entering the pipe.
- Sheath the pipe with insulating material.
- Place flare nuts on both ends of pipe. Make sure they are facing in the right direction, because you can't put them on or change their direction after flaring.

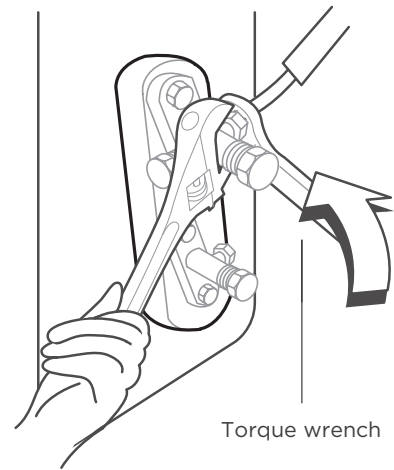


- Remove PVC tape from ends of pipe when ready to perform flaring work.

- Clamp flare form on the end of the pipe. The end of the pipe must extend beyond the flare form.



- Place flaring tool onto the form.
- Turn the handle of the flaring tool clockwise until the pipe is fully flared.



PIPING EXTENSION BEYOND FLARE FORM

Pipe gauge	Tightening torque	Flare dimension(A)	Flare shape
Ø1/4in (Ø6.35mm)	18-20 N.m (180-200kgf.cm)	0.33~0.34in (8.4~8.7mm)	
Ø3/8in (Ø9.52mm)	32-39 N.m (320-390kgf.cm)	0.52~0.53in (13.2~13.5mm)	
Ø1/2in (Ø12.7mm)	49-59 N.m (490-590kgf.cm)	0.64~0.65in (16.2~16.5mm)	
Ø5/8in (Ø16mm)	57-71 N.m (570-710kgf.cm)	0.76~0.78in (19.2~19.7mm)	
Ø3/4in (Ø19mm)	67-101 N.m (670-1010kgf.cm)	0.91~0.93in (23.2~23.7mm)	

- Remove the flaring tool and flare form, then inspect the end of the pipe for cracks and even flaring.

Step 4: Connect pipes

Connect the copper pipes to the indoor unit first, then connect it to the outdoor unit. You should first connect the low-pressure pipe, then the highpressure pipe.

- When connecting the flare nuts, apply a thin coat of refrigeration oil to the flared ends of the pipes.
- Align the center of the two pipes that you will connect.
- Tighten the flare nut snugly by hand.
- Using a wrench, grip the nut on the unit tubing.
- While firmly gripping the nut, use a torque wrench to tighten the flare nut according to the torque values in above table.

● NOTICE

Use both a spanner and a torque wrench when connecting or disconnecting pipes to/from the unit.

⚠ CAUTION

Ensure to wrap insulation around the piping. Direct contact with the bare piping may result in burns or frostbite.

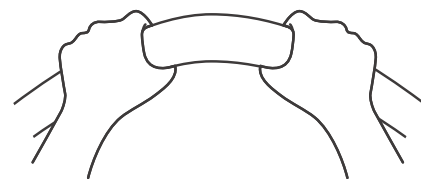
- Make sure the pipe is properly connected. Over tightening may damage the bell mouth and under tightening may lead to leakage.

● NOTICE MINIMUM BEND RADIUS

Carefully bend the tubing in the middle according to the diagram below.

DO NOT bend the tubing more than 90° or more than 3 times.

Use appropriate tool



min-radius 3.9in(10cm)

- After connecting the copper pipes to the indoor unit, wrap the power cable, signal cable and the piping together with binding tape.

● NOTICE

DO NOT intertwine signal cable with other wires. While bundling these items together. **DO NOT** intertwine or cross the signal cable with any other wiring.

WIRING PRECAUTIONS

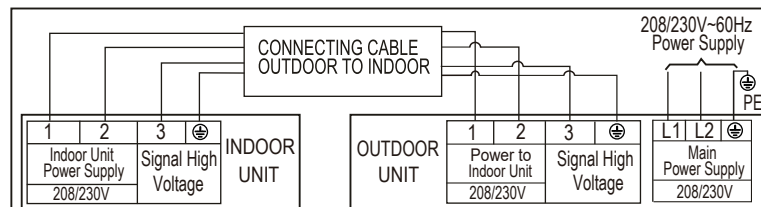
⚠ WARNING

BEFORE PERFORMING ANY ELECTRICAL WORK, READ THESE WARNINGS.

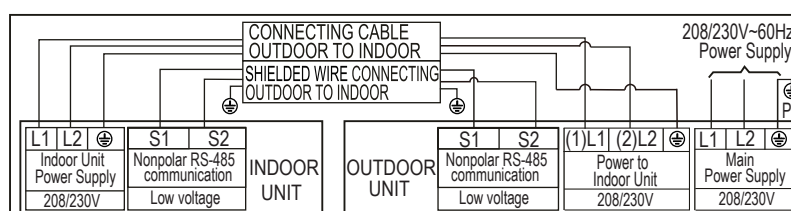
- All wiring must comply with local and national electrical codes, regulations and must be installed by a licensed electrician.
- All electrical connections must be made according to the Electrical Connection Diagram located on the panels of the indoor and outdoor units.
- If there is a serious safety issue with the power supply, stop work immediately. Explain your reasoning to the client, and refuse to install the unit until the safety issue is properly resolved.
- Power voltage should be within 90-110% of rated voltage. Insufficient power supply can cause malfunction, electrical shock, or fire.
- Installation of an external surge suppressor at the outdoor disconnect is recommended.
- If connecting power to fixed wiring, a switch or circuit breaker that disconnects all poles and has a contact separation of at least 1/8in (3mm) must be incorporated in the fixed wiring. The qualified technician must use an approved circuit breaker or switch.
- Only connect the unit to an individual branch circuit. Do not connect another appliance to that outlet.
- Make sure to properly ground the air conditioner.
- Every wire must be firmly connected. Loose wiring can cause the terminal to overheat, resulting in product malfunction and possible fire.
- Do not let wires touch or rest against refrigerant tubing, the compressor, or any moving parts within the unit.
- If the unit has an auxiliary electric heater, it must be installed at least 40in (1 m) away from any combustible materials.
- To avoid getting an electric shock, never touch the electrical components soon after the power supply has been turned off. After turning off the power, always wait 10 minutes or more before you touch the electrical components.
- Make sure that you do not cross your electrical wiring with your signal wiring.
- This may cause distortion, interference or possibly damage to circuit boards.
- No other equipment should be connected to the same power circuit.
- Connect the outdoor wires before connecting the indoor wires.

⚠ WARNING

BEFORE PERFORMING ANY ELECTRICAL OR WIRING WORK, TURN OFF THE MAIN POWER TO THE SYSTEM.



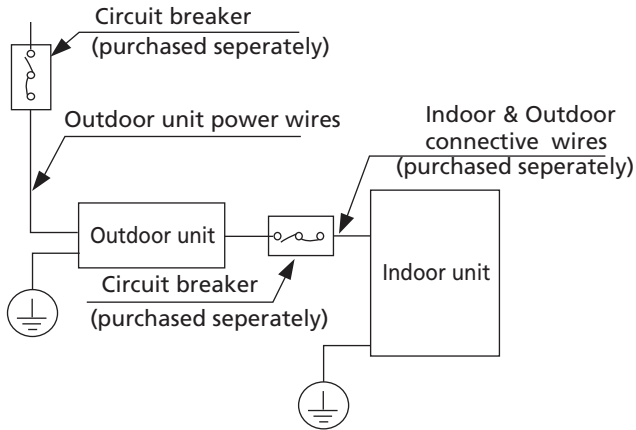
Connection Diagram (18K/24K)



Connection Diagram (36K/48K/60K)

NOTE ON CIRCUIT BREAKER

When the maximum current of the air conditioner is more than 16A, a circuit breaker or leakage protection switch with protective device shall be used (purchased separately). When the maximum current of the air conditioner is less than 16A, the power cord of air conditioner shall be equipped with plug (purchased separately). In North America, the appliance should be wired according to NEC and CEC requirements.



NOTE: The cognographs are for explanation purpose only. Your machine may be slightly different. The actual shape shall prevail.

OUTDOOR UNIT WIRING

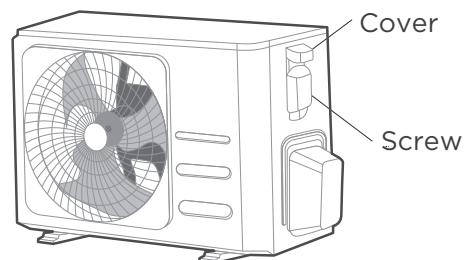
⚠ WARNING

Before performing any electrical or wiring work, turn off the main power to the system.

1. Prepare the cable for connection
 - a. You must first choose the right cable size. Choose the cable type according to the local electrical codes and regulations.
 - b. The size of the power supply cable, signal cable, fuse, and switch needed is determined by the Minimum Circuit Ampacity of the unit. The Minimum Circuit Ampacity is indicated on the nameplate located on the side panel of the unit. Refer to this nameplate to choose the right cable, fuse, or switch.
 - c. Using wire strippers, strip the rubber jacket from both ends of the signal cable to reveal approximately 5.9in (150mm) of wire.
 - d. Strip the insulation from the ends.
 - e. Using a wire crimper, crimp u-lugs on the ends.

NOTE: When connecting the wires, strictly follow the wiring diagram found inside the electrical box cover.

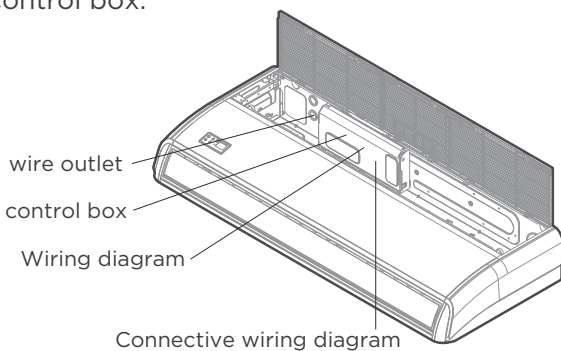
2. Remove the electric cover of the outdoor unit. If there is no cover on the outdoor unit, take off the bolts from the maintenance board and remove the protection board.



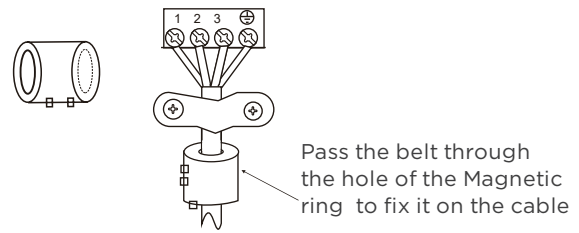
3. Connect the u-lugs to the terminals
Match the wire colors/labels with the labels on the terminal block. Firmly screw the u-lug of each wire to its corresponding terminal.
4. Clamp down the cable with the cable clamp.
5. Insulate unused wires with electrical tape. Keep them away from any electrical or metal parts.
6. Reinstall the cover of the electric control box.

INDOOR UNIT WIRING

1. Prepare the cable for connection
 - a. Using wire strippers, strip the rubber jacket from both ends of the signal cable to reveal about 5.9in(150mm) of the wire.
 - b. Strip the insulation from the ends of the wires.
 - c. Using a wire crimper, crimp the u-lugs to the ends of the wires.
2. Open the front panel of the indoor unit. Using a screwdriver, remove the cover of the electric control box on your indoor unit.
3. Thread the power cable and the signal cable through the wire outlet.
4. Connect the u-lugs to the terminals. Match the wire colors/labels with the labels on the terminal block. Firmly screw the u-lug of each wire to its corresponding terminal. Refer to the Serial Number and Wiring Diagram located on the cover of the electric control box.



Magnetic ring (if supplied and packed with the accessories)



CAUTION

- While connecting the wires, please strictly follow the wiring diagram.
- The refrigerant circuit can become very hot. Keep the interconnection cable away from the copper tube.

5. Clamp down the cable with the cable clamp. The cable must not be loose or pull on the u-lugs.
6. Reattach the electric box cover.

AIR EVACUATION

NOTICE

When opening valve stems, turn the hexagonal wrench until it hits against the stopper. Do not try to force the valve to open further.

Preparations and precautions

Air and foreign matter in the refrigerant circuit can cause abnormal rises in pressure, which can damage the air conditioner, reduce its efficiency, and cause injury. Use a vacuum pump and manifold gauge to evacuate the refrigerant circuit, removing any non-condensable gas and moisture from the system. Evacuation should be performed upon initial installation and when unit is relocated.

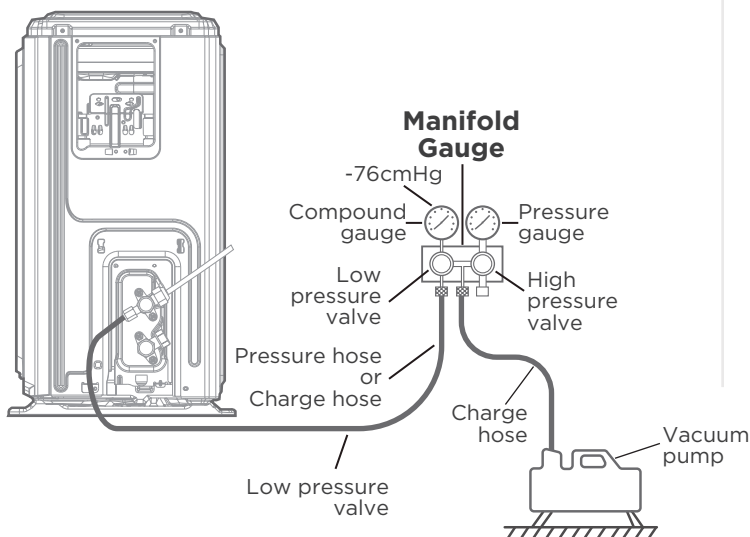
BEFORE PERFORMING EVACUATION

- ✓ Check to make sure the connective pipes between the indoor and outdoor units are connected properly.
- ✓ Check to make sure all wiring is connected properly.

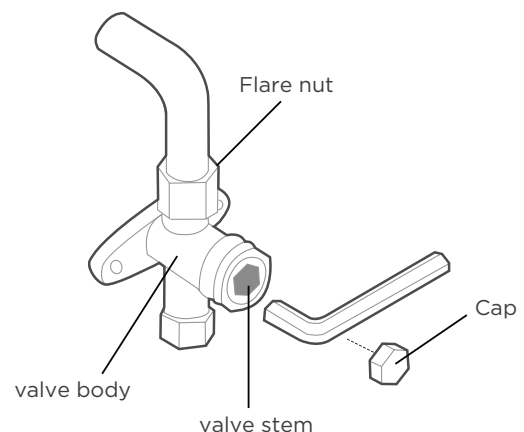
Evacuation Instructions

1. Connect the charge hose of the manifold gauge to service port on the outdoor unit's low pressure valve.
2. Connect another charge hose from the manifold gauge to the vacuum pump.
3. Open the Low Pressure side of the manifold gauge. Keep the High Pressure side closed.
4. Turn on the vacuum pump to evacuate the system.
5. Run the vacuum for at least 15 minutes, or until the Compound Meter reads -76cmHg (-10^5Pa).

Outdoor unit



6. Close the Low Pressure side of the manifold gauge, and turn off the vacuum pump.
7. Wait for 5 minutes, then check that there has been no change in system pressure.
8. If there is a change in system pressure, refer to Gas Leak Check section for information on how to check for leaks. If there is no change in system pressure, unscrew the cap from the packed valve (high pressure valve).
9. Insert hexagonal wrench into the packed valve (high pressure valve) and open the valve by turning the wrench in a 1/4 counterclockwise turn. Listen for gas to exit the system, then close the valve after 5 seconds.
10. Watch the Pressure Gauge for one minute to make sure that there is no change in pressure. The Pressure Gauge should read slightly higher than atmospheric pressure.
11. Remove the charge hose from the service port.



12. Using hexagonal wrench, fully open both the high pressure and low pressure valves.
13. Tighten valve caps on all three valves (service port, high pressure, low pressure) by hand. You may tighten it further using a torque wrench if needed.

NOTE ON ADDING REFRIGERANT

⚠ CAUTION

DO NOT mix refrigerant types.

Some systems require additional charging depending on pipe lengths. In North America, the standard pipe length is 25ft (7.5m). The refrigerant should be charged from the service port on the outdoor unit's low pressure valve. The additional refrigerant to be charged can be calculated using the following formula:

Refrigerant	Liquid Side Diameter		
	Ø1/4in (Ø6.35mm)	Ø3/8in (Ø9.52mm)	Ø1/2in (Ø12.7mm)
R454B	(Pipe length - standard length) x 0.16oz/ft (Pipe length - standard length) x 15g/m	(Pipe length - standard length) x 0.32oz/ft (Pipe length - standard length) x 30g/m	(Pipe length - standard length) x 0.69oz/ft (Pipe length - standard length) x 65g/m

TEST RUN

CAUTION

Failure to perform the test run may result in unit damage, property damage, or personal injury.

Before test run

A test run must be performed after the entire system has been completely installed. Confirm the following points before performing the test:

- a) Indoor and outdoor units are properly installed.
- b) Piping and wiring are properly connected.
- c) No obstacles near the inlet and outlet of the unit that might cause poor performance or product malfunction.
- d) Refrigeration system does not leak.
- e) Drainage system is unimpeded and draining to a safe location.
- f) Heating insulation is properly installed.
- g) Grounding wires are properly connected.
- h) Length of the piping and additional refrigerant capacity have been recorded.
- i) Power voltage is the correct voltage for the air conditioner

Test Run Instructions

1. Open both the liquid and gas stop valves.
2. Turn on the main power switch and allow the unit to warm up.
3. Set the air conditioner to COOL mode.
4. For the Indoor Unit
 - a. Ensure the remote control and its buttons work properly.
 - b. Ensure the louvers move properly and can be changed using the remote control.
 - c. Double check to see if the room temperature is being registered correctly.
 - d. Ensure the indicators on the remote control and the display panel on the indoor unit work properly.
 - e. Ensure the manual buttons on the indoor unit works properly.
5. For the Outdoor Unit
 - a. Check to see if the refrigeration system is leaking.
 - b. Make sure there is no vibration or abnormal noise during operation.
 - c. Ensure the wind, noise, and water generated by the unit do not disturb your neighbors or pose a safety hazard.
6. Drainage Test
 - a. Ensure the drainpipe flows smoothly. New buildings should perform this test before finishing the ceiling.
 - b. Remove the test cover. Add 2,000ml of water to the tank through the attached tube.
 - c. Turn on the main power switch and run the air conditioner in COOL mode.
 - d. Listen to the sound of the drain pump to see if it makes any unusual noises.
 - e. Check to see that the water is discharged. It may take up to one minute before the unit begins to drain depending on the drainpipe.
 - f. Make sure that there are no leaks in any of the piping.
 - g. Stop the air conditioner. Turn off the main power switch and reinstall the test cover.

NOTE: If the unit malfunctions or does not operate according to your expectations, please refer to the Troubleshooting section of the Owner's Manual before calling customer service.

PACKING AND UNPACKING THE UNIT

Instructions for packing unpacking the unit:

Unpacking:

Indoor unit:

1. Cut the packing belt.
2. Unpack the package.
3. Take out the packing cushion and packing support.
4. Remove the packing film.
5. Take out the accessories.
6. Lift the machine out and lay it flat.

Outdoor Unit

1. Cut the packing belt.
2. Take the unit out of the package.
3. Remove the foam from the unit.
4. Remove the packing film from the unit.

Packing:

Indoor unit:

1. Put the indoor unit into the packing film.
2. Put the accessories in.
3. Place the packing cushion and packing support.
4. Put the indoor unit into the package.
5. Close the package and seal it.
6. Using the packing belt if necessary.

Outdoor unit:

1. Put the outdoor unit into the packing film.
2. Put the bottom foam into the box.
3. Put the outdoor unit into the package, then put the upper packaging foam on the unit.
4. Close the package and seal it.
5. Using the packing belt if necessary.

NOTE: Please keep all packaging items if you may need in the future.

The design and specifications are subject to change without prior notice for product improvement. Consult with the sales agency or manufacturer for details. Any updates to the manual will be uploaded to the service website, please check for the latest version.

QS003I-DL(R454B)

Unité de plafond/sol CLIMATISEUR DE CHAMBRE

Manuel d'installation

REMARQUE IMPORTANTE :



Lisez attentivement ce manuel avant d'installer ou d'utiliser votre nouveau climatiseur. Veillez à conserver ce manuel pour référence ultérieure.

SOMMAIRE

CONSIGNES DE SÉCURITÉ.....	02
APERÇU DU PRODUIT.....	10
INSTALLATION DU PRODUIT.....	11
RACCORDEMENT DE LA TUYAUTERIE DE RÉFRIGÉRANT.....	22
PRÉCAUTIONS DE CÂBLAGE.....	25
ÉVACUATION DE L'AIR.....	28
REMARQUE RELATIVE À L'AJOUT DE RÉFRIGÉRANT.....	29
TEST DE FONCTIONNEMENT.....	30
EMBALLAGE ET DÉBALLAGE DE L'APPAREIL.....	31

CONSIGNES DE SÉCURITÉ

Il est très important de lire les précautions de sécurité avant l'utilisation et l'installation. Une installation incorrecte résultant de l'ignorance des consignes peut entraîner des dommages ou des blessures graves. La gravité des dommages ou blessures potentiels est indiquée par la mention « AVERTISSEMENT » ou « MISE EN GARDE ».

Explication des symboles



AVERTISSEMENT

Ce symbole indique la possibilité de blessures ou de pertes en vies humaines.



MISE EN GARDE

Ce symbole indique la possibilité de dommages matériels ou de conséquences graves.

⚠ AVERTISSEMENT

Cet appareil n'est pas destiné à être utilisé par des personnes (y compris des enfants) dont les capacités physiques, sensorielles ou mentales sont réduites, ou qui manquent d'expérience et de connaissances, à moins qu'elles n'aient pu bénéficier d'une surveillance ou d'instructions concernant l'utilisation de l'appareil de la part d'une personne responsable de leur sécurité. Il convient de surveiller les enfants pour s'assurer qu'ils ne jouent pas avec l'appareil.

⚠ AVERTISSEMENTS RELATIFS À L'ÉLECTRICITÉ

- Utiliser seulement le câble spécifié. Si le câble est endommagé, il devra être remplacé par le fabricant, son agent de réparation ou des personnes de qualification identique afin d'éviter tout risque.
- Le produit doit être correctement mis à la terre au moment de l'installation, sous peine de décharge électrique.
- Pour tous les travaux électriques, respecter les normes et réglementations locales et nationales en matière de câblage, ainsi que le manuel d'installation. Brancher les câbles de manière étanche et les serrer fermement afin d'éviter que des forces extérieures n'endommagent le terminal. Des raccordements électriques incorrects peuvent provoquer une surchauffe et un incendie, ainsi qu'une décharge électrique. Tous les raccordements électriques doivent être effectués conformément au schéma de raccordement électrique situé sur les panneaux des unités d'intérieur et d'extérieur.
- Tous les câbles doivent être correctement arrangés pour que le couvercle de la carte de contrôle puisse se fermer correctement. Si le couvercle de la carte de contrôle n'est pas correctement fermé, il peut y avoir de la corrosion et les points de raccordement sur le terminal peuvent chauffer, prendre feu ou provoquer une décharge électrique.
- Un moyen de débranchement doit être incorporé dans le câblage fixe conformément aux règles de câblage.
- Ne pas partager la prise électrique avec d'autres appareils. Une alimentation électrique incorrecte ou insuffisante peut provoquer un incendie ou une décharge électrique.
- En cas de raccordement à un câblage fixe, un dispositif de déconnexion omnipolaire présentant un espace libre d'au moins 3 mm entre tous les pôles et un courant de fuite pouvant dépasser 10 mA, un dispositif à courant différentiel résiduel (RCD) dont le courant de fonctionnement résiduel nominal ne dépassant pas 30 mA, et un dispositif de déconnexion doivent être incorporés dans le câblage fixe conformément aux règles en matière de câblage.

⚠ AVERTISSEMENTS RELATIFS À L'INSTALLATION DU PRODUIT

- Éteindre le climatiseur et débrancher l'alimentation électrique avant d'effectuer toute installation ou réparation. Le non-respect de cette instruction peut entraîner une décharge électrique.
- L'installation doit être effectuée par un revendeur ou un spécialiste agréé. Une installation défectueuse peut entraîner des fuites d'eau, des décharges électriques ou un incendie.
- L'installation doit être effectuée conformément aux instructions d'installation. Une mauvaise installation peut entraîner des fuites d'eau, des décharges électriques ou un incendie.
Communiquer avec un technicien agréé pour la réparation ou l'entretien de cette unité.
- Cet appareil doit être installé conformément aux réglementations nationales en matière de câblage. Pour l'installation, n'utilisez que les accessoires et les pièces fournis, ainsi que les pièces spécifiées.
- L'utilisation de pièces non standard peut entraîner des fuites d'eau, des décharges électriques, des incendies et une défaillance de l'unité.
- Installez l'unité dans un endroit solide qui peut supporter le poids de celui-ci. Si l'emplacement choisi ne peut pas supporter le poids de l'appareil ou si l'installation n'est pas effectuée correctement, celui-ci risque de tomber et de provoquer des blessures et des dommages graves.
- Installer la tuyauterie d'évacuation conformément aux instructions de ce manuel. Une évacuation inadéquate peut entraîner des dégâts causés par l'eau à votre maison et à vos biens.
- Pour les unités équipées d'un chauffage électrique auxiliaire, n'installez pas celle-ci à moins d'un mètre (3 pieds) de tout matériau combustible.
- Pour les unités équipées d'une fonction de réseau sans fil, les opérations d'accès, de remplacement et de maintenance des périphériques USB doivent être effectuées par du personnel professionnel.
- Ne pas installer l'unité dans un endroit susceptible d'être exposé à des fuites de gaz combustible. Si du gaz combustible s'accumule autour de l'appareil, il peut provoquer un incendie.
- Ne pas rétablir le courant avant d'avoir terminé tous les travaux.
- Lors du déplacement ou de la réinstallation du climatiseur, il convient de faire appel à des techniciens d'entretien expérimentés pour la déconnexion et la réinstallation de l'unité.
- Pour installer l'appareil sur son support, veuillez lire les renseignements relatifs aux détails dans les sections « installation de l'unité d'intérieur » et « installation de l'unité d'extérieur ».

PRENDRE NOTE DES SPÉCIFICATIONS DES FUSIBLES

La carte de circuit imprimé (PCB) du climatiseur est conçue avec un fusible pour assurer une protection contre les surintensités. Les spécifications du fusible sont imprimées sur le circuit imprimé, par exemple : T3.15AL/250VAC, T5AL/250VAC, T3.15A/250VAC, T5A/250VAC, T20A/250VAC, T30A/250VAC, etc.

REMARQUE : Seule la fusée céramique antidéflagrante peut être utilisée.

⚠ AVERTISSEMENT RELATIF À L'UTILISATION DES RÉFRIGÉRANTS INFLAMMABLES

- Ne pas utiliser de moyens pour accélérer le processus de dégivrage ou pour nettoyer autres que ceux recommandés par le fabricant.
- L'appareil doit être entreposé dans un local dépourvu de sources d'inflammation en fonctionnement permanent (par exemple : flammes nues, appareil à gaz en fonctionnement ou radiateur électrique en fonctionnement).
- Ne pas percer ni brûler.
- Savoir que les réfrigérants peuvent ne pas avoir d'odeur.

Pour la quantité de charge de réfrigérant R454B et la surface minimale de la pièce :

La machine que vous avez achetée peut être l'un des types figurant dans le tableau ci-dessous. Les unités intérieures et extérieures sont conçues pour être utilisées ensemble. Veuillez vérifier la machine que vous avez achetée. La hauteur de la pièce ne peut pas être inférieure à 7,3 pi/2,2 m, et la surface minimale de la pièce d'exploitation ou d'entreposage doit être telle que spécifiée dans le tableau suivant :

Modèle	Unité intérieure	Unité d'extérieur
36K	GVHLA36R2AS1	ESHUA36R2AN1
48K	GVHLA48R2AS1	ESHUA48R2AN1

REMARQUE : Ce climatiseur peut être installé au mur ou suspendu au plafond.

A _{min} [Pi ² /m ²] M _c ou M _{REL} [onces/kg]	h _{inst} [pi/m]				
	6,0~7,3/ 1,8~2,2	7,9/2,4	8,6/2,6	9,2/2,8	9,9/3,0
≤62,6/1,776	12/1,10				
63,4/1,8	60/5,53	55/5,07	51/4,68	47/4,35	44/4,06
70,5/2,0	67/6,15	61/5,64	56/5,20	52/4,83	49/4,51
77,5/2,2	73/6,76	67/6,20	62/5,72	58/5,31	54/4,96
84,6/2,4	80/7,38	73/6,76	68/6,24	63/5,80	59/5,41
91,7/2,6	86/7,99	79/7,32	73/6,76	68/6,28	64/5,86
98,7/2,8	93/8,60	85/7,89	79/7,28	73/6,76	68/6,31
105,8/3,0	100/9,22	91/8,45	84/7,80	78/7,24	73/6,76
112,8/3,2	106/9,83	97/9,01	90/8,32	84/7,73	78/7,21
119,9/3,4	113/10,45	104/9,58	96/8,84	89/8,21	82/7,66
126,9/3,6	120/11,06	110/10,14	101/9,36	94/8,69	88/8,11
134/3,8	126/11,68	116/10,70	107/9,88	99/9,17	93/8,56
141,0/4,0	133/12,29	122/11,27	112/10,40	104/9,66	97/9,01
148,1/4,2	139/12,90	128/11,83	118/10,92	110/10,14	102/9,46
155,1/4,4	146/13,52	134/12,39	124/11,44	115/10,62	107/9,91
162,2/4,6	153/14,13	140/12,96	129/11,96	120/11,11	112/10,37
169,2/4,8	159/14,75	146/13,52	135/12,48	125/11,59	117/10,82
176,3/5,0	166/15,36	152/14,08	140/13,00	130/12,07	122/11,27

Formule de calcul de la superficie

A_{min} est la surface minimale requise de la pièce en pi²/m²

m_c est la charge réelle de réfrigérant dans le système en once/kg

m_{REL} est la charge de réfrigérant libérable en once/kg

h_{inst} est la hauteur du bas de l'appareil par rapport au sol de la pièce après l'installation.

AVERTISSEMENT : La superficie minimale de la pièce ou de l'espace climatisé est basée sur la charge libérable et la charge totale de réfrigérant du système.

A_{min} [Pi²/m²]	h_{inst}[pi/m]		
m_c ou m_{REL} [once/kg]	0	0,7-2,0 0,2-0,6	2,7-4,0 0,8-1,2
≤62,6/1,776		12/1,10	
63,4/1,8	60/5,53	60/5,53	60/5,53
70,5/2,0	67/6,15	67/6,15	67/6,15
77,5/2,2	73/6,76	73/6,76	73/6,76
84,6/2,4	80/7,38	80/7,38	80/7,38
91,7/2,6	86/7,99	86/7,99	86/7,99
98,7/2,8	93/8,60	93/8,60	93/8,60
105,8/3,0	100/9,22	100/9,22	100/9,22
112,8/3,2	106/9,83	106/9,83	106/9,83
119,9/3,4	113/10,45	113/10,45	113/10,45
126,9/3,6	120/11,06	120/11,06	120/11,06
134/3,8	126/11,68	126/11,68	126/11,68
141,0/4,0	133/12,29	133/12,29	133/12,29
148,1/4,2	139/12,90	139/12,90	139/12,90
155,1/4,4	146/13,52	146/13,52	146/13,52
162,2/4,6	153/14,13	153/14,13	153/14,13
169,2/4,8	159/14,75	159/14,75	159/14,75
176,3/5,0	166/15,36	166/15,36	166/15,36
Formule de calcul de la superficie	<p>A_{min} est la surface minimale requise de la pièce en pi²/m²</p> <p>m_c est la charge réelle de réfrigérant dans le système en once/kg</p> <p>m_{REL} est la charge de réfrigérant libérable en once/kg</p> <p>h_{inst} est la hauteur du bas de l'appareil par rapport au sol de la pièce après l'installation.</p> <p>AVERTISSEMENT : La superficie minimale de la pièce ou de l'espace climatisé est basée sur la charge libérable et la charge totale de réfrigérant du système.</p>		

Pour les unités équipées de capteurs de réfrigérant, lorsque l'unité détecte une fuite de réfrigérant, le débit d'air minimum de l'unité intérieure est le suivant :

Modèle	18 K	24 K	36 K	48 K	60 K
Volume d'air nominal	577CFM (980m ³ /h)	736CFM (1250m ³ /h)	1224CFM (2080m ³ /h)	1353CFM (2300m ³ /h)	1365CFM (2320m ³ /h)

1. Installation (où les tuyaux de réfrigérant sont autorisés)

- Toute personne amenée à travailler sur un circuit de réfrigération ou à s'y introduire doit être titulaire d'un certificat en cours de validité délivré par une autorité d'évaluation accréditée par l'industrie, qui atteste de sa capacité à manipuler des réfrigérants en toute sécurité conformément à une spécification d'évaluation reconnue par l'industrie.
- L'entretien et la réparation qui requièrent l'aide d'un autre personnel qualifié doivent être effectués sous la supervision de la personne compétente dans l'utilisation de réfrigérants inflammables.
- L'installation de la tuyauterie doit être réduite au minimum.
- Cette tuyauterie doit être protégée contre les dommages physiques.
- Les tuyaux de réfrigération doivent être conformes aux réglementations nationales en matière de gaz.
- Les raccords mécaniques doivent être accessibles à des fins d'entretien.
- Veiller à ce que des corps étrangers (huile, eau, etc.) ne pénètrent pas dans la tuyauterie. De même, lorsque vous entreposez la tuyauterie, fermez solidement l'ouverture en la pinçant, en la fixant avec du ruban adhésif, etc.
- Toutes les procédures de travail qui affectent les moyens de sécurité ne doivent être effectuées que par des personnes compétentes.
- L'appareil doit être entreposé dans un endroit bien ventilé où la taille de la pièce correspond à la surface de la pièce spécifique pour le fonctionnement.
- Les joints d'étanchéité sont testés avec un équipement de détection ayant une capacité de 5 g/an de réfrigérant ou mieux, avec l'équipement à l'arrêt et en fonctionnement ou sous une pression au moins égale à ces conditions d'arrêt ou de fonctionnement après l'installation. Les joints d'étanchéité détachables ne doivent PAS être utilisés du côté intérieur de l'unité (des joints d'étanchéité brasés ou soudés peuvent être utilisés).
- Dans les cas nécessitant une ventilation mécanique, les ouvertures de ventilation doivent être dégagées.
- **SYSTÈME DE DÉTECTION DE FUITES** installé. L'unité doit être alimentée sauf pour l'entretien. Pour l'unité avec capteur de réfrigérant, lorsque le capteur de réfrigérant détecte une fuite de réfrigérant, l'unité intérieure affichera un code d'erreur et émettra un bourdonnement, le compresseur de l'unité extérieure s'arrêtera immédiatement et le ventilateur intérieur s'allumera. La durée de vie du capteur de réfrigérant est de 15 ans. En cas de dysfonctionnement du capteur de réfrigérant, l'unité intérieure affichera le code d'erreur « FHCC ». Le capteur de réfrigérant ne peut pas être réparé et ne peut être remplacé que par le fabricant. Il ne doit être remplacé que par le capteur spécifié par le fabricant.

2. Lorsqu'un **RÉFRIGÉRANT INFLAMMABLE** est utilisé, les exigences relatives à l'espace d'installation de l'appareil et/ou à la ventilation sont déterminées en fonction de

- de la quantité de charge massique (M) utilisée dans l'appareil,
- de l'emplacement de l'installation,
- du type de ventilation de l'emplacement ou de l'appareil,
- du matériel de tuyauterie, de l'acheminement des tuyaux et de l'installation doivent inclure la protection contre les dommages physiques en fonctionnement et en service, et être conforme aux codes et normes nationaux et locaux, tels que ASHRAE 15, IAPMO Code mécanique uniforme, ICC Code mécanique international, ou CSA B52. Tous les joints d'étanchéité sur le terrain doivent être accessibles à des fins d'inspection avant d'être recouverts ou fermés.
- que les appareils de protection, les tuyauteries et les raccords doivent être protégés autant que possible contre les effets néfastes de l'environnement, par exemple le risque d'accumulation et de gel de l'eau dans les tuyaux de décharge ou l'accumulation de saletés et de débris ;
- que la tuyauterie des systèmes de réfrigération doit être conçue et installée de manière à réduire au minimum la probabilité qu'une décharge hydraulique endommage le système ;
- que les tuyaux en acier et les composants doivent être protégés contre la corrosion par un revêtement anti-rouille avant l'application de tout isolant ;

- que des précautions doivent être prises pour éviter toute vibration ou pulsation excessive ;
- la surface minimale au sol de la pièce doit être mentionnée sous la forme d'un tableau ou d'un seul chiffre sans référence à une formule ;
- après l'achèvement de la tuyauterie de terrain pour les systèmes divisés, la tuyauterie de terrain doit être soumise à un essai de pression avec un gaz inerte, puis à un essai sous vide avant la charge de réfrigérant, conformément aux exigences suivantes :
 - a. La pression d'essai minimale pour le côté bas du système doit être la pression de calcul du côté bas et la pression d'essai minimale pour le côté haut du système doit être la pression de calcul du côté haut, sauf si le côté haut du système ne peut pas être isolé du côté bas du système, auquel cas l'ensemble du système doit être soumis à l'essai de pression à la pression de calcul du côté bas.
 - b. La pression d'essai après suppression de la source de pression doit être maintenue pendant au moins 1 heure sans diminution de la pression indiquée par le manomètre d'essai, la résolution du manomètre d'essai ne dépassant pas 5 % de la pression d'essai.
 - c. Pendant l'essai d'évacuation, après avoir atteint un niveau de vide spécifié dans le manuel ou inférieur, le système de réfrigération doit être isolé de la pompe à vide et la pression ne doit pas dépasser 1 500 microns en l'espace de 10 minutes. Le niveau de pression du vide doit être spécifié dans le manuel et correspondre à la valeur la plus faible entre 500 microns et la valeur requise pour se conformer aux codes et normes nationaux et locaux, qui peuvent varier selon qu'il s'agit de bâtiments résidentiels, commerciaux ou industriels.
- Les joints de réfrigérant fabriqués sur place à l'intérieur doivent faire l'objet d'un essai d'étanchéité conformément aux exigences suivantes : La méthode d'essai doit avoir une sensibilité de 5 grammes par an de réfrigérant ou mieux, sous une pression d'au moins 0,25 fois la pression maximale admissible. Aucune fuite ne doit être détectée.

3. Qualification des travailleurs

Toute opération d'entretien, de service et de réparation doit nécessiter la qualification du personnel qui y travaille. Toute procédure de travail ayant une incidence sur les moyens de sécurité ne doit être exécutée que par des personnes compétentes qui ont suivi une formation et dont les compétences acquises doivent être attestées par un certificat. Ces procédures est assurée par des organismes de formation nationaux ou des fabricants accrédités pour enseigner les normes de compétence nationales pertinentes qui peuvent être définies dans la législation. Tous les enseignements doivent être conformes aux exigences de l'annexe HH de la 4e édition de la norme UL 60335-2-40.

Les exemples de telles procédures de travail sont les suivants :

- s'introduire dans le circuit de réfrigération ;
- ouverture des composants scellés ;
- ouverture des enceintes ventilées.

4. Zone ventilée

S'assurer que la zone est à l'air libre ou qu'elle est correctement ventilée avant de pénétrer dans le système ou d'effectuer un travail à chaud. Une certaine ventilation doit être maintenue pendant la durée des travaux. La ventilation doit permettre de disperser en toute sécurité tout réfrigérant libéré et, de préférence, de l'expulser dans l'atmosphère.

5. Câblage

Vérifier que le câblage ne sera pas soumis à l'usure, à la corrosion, à une pression excessive, à des vibrations, à des arêtes vives ou à tout autre effet environnemental négatif. Le contrôle doit également prendre en compte les effets du vieillissement ou des vibrations continues provenant de sources telles que les compresseurs ou les ventilateurs.

6. Détection des réfrigérants inflammables

En aucun cas, des sources potentielles d'inflammation ne doivent être utilisées pour rechercher ou détecter des fuites de réfrigérant. Une torche aux halogénures (ou tout autre détecteur utilisant une flamme nue) ne doit pas être utilisée.

Les méthodes de détection des fuites suivantes sont considérées comme acceptables pour les systèmes de réfrigération. Des détecteurs de fuites électroniques peuvent être utilisés pour détecter les fuites de réfrigérants mais, dans le cas des REFRIGÉRANTS INFLAMMABLES, la sensibilité peut être insuffisante ou nécessiter un réétalonnage. (L'équipement de détection doit être étalonné dans une zone exempte de réfrigérant.) S'assurer que le détecteur n'est pas une source potentielle d'inflammation et qu'il est adapté au réfrigérant utilisé. L'équipement de détection des fuites est réglé sur un pourcentage de la valeur LFL du réfrigérant et est étalonné en fonction du réfrigérant utilisé ; le pourcentage approprié de gaz (25% au maximum) est confirmé. Les fluides de détection de fuites conviennent également à la plupart des réfrigérants, mais l'utilisation de détergents contenant du chlore doit être évitée, car le chlore peut réagir avec le réfrigérant et corroder la tuyauterie en cuivre.

REMARQUE : des exemples de fluides de détection de fuites sont la

- méthode des bulles,
- les agents de la méthode fluorescente.

Si l'on soupçonne une fuite, toutes les flammes nues doivent être enlevées/éteintes. Si une fuite de réfrigérant nécessitant un brasage est constatée, tout le réfrigérant doit être récupéré dans le système ou isolé (au moyen de vannes d'arrêt) dans une partie du système éloignée de la fuite. Voir les instructions suivantes pour l'élimination du réfrigérant.

7. Enlèvement et évacuation

Pour pénétrer dans le circuit du réfrigérant afin d'effectuer des réparations - ou pour toute autre raison, il convient d'utiliser les procédures conventionnelles. Toutefois, pour les réfrigérants inflammables, il est important de suivre les meilleures pratiques, car l'inflammabilité est un facteur à prendre en compte.

La procédure suivante est appliquée :

- Retirer le réfrigérant en toute sécurité conformément aux réglementations locales et nationales ;
- Évacuer ;
- Purger le circuit avec du gaz inerte (en option pour A2L) ;
- Évacuer (facultatif pour A2L) ;
- Rincer en continu ou purger avec un gaz inerte lors de l'utilisation d'une flamme pour ouvrir le circuit ; et ouvrir le circuit.

La charge de réfrigérant doit être récupérée dans des cylindres de récupération de meilleure qualité si la ventilation n'est pas autorisée par les codes locaux et nationaux. Pour les appareils contenant des réfrigérants inflammables, le système doit être purgé avec de l'azote exempt d'oxygène afin de rendre l'appareil sûr pour les réfrigérants inflammables. Cette opération peut devoir être répétée plusieurs fois. L'air comprimé ou l'oxygène ne doivent pas être utilisés pour la purge des systèmes de réfrigération.

Pour les appareils contenant des réfrigérants inflammables, la purge des réfrigérants doit être réalisée en brisant le vide dans le système avec de l'azote exempt d'oxygène et en continuant à remplir jusqu'à ce que la pression de fonctionnement soit atteinte, puis en ventilant dans l'atmosphère, et enfin en tirant au vide (optionnel pour A2L). Ce processus doit être répété jusqu'à ce qu'il n'y ait plus de réfrigérant dans le système.(optionnel pour A2L). Lorsque la charge finale d'azote sans oxygène est utilisée, le système doit être purgé jusqu'à la pression atmosphérique pour permettre le travail.

La sortie de la pompe à vide ne doit pas être proche de sources d'inflammation potentielles et une ventilation doit être disponible.

8. Procédures de charge

Outre les procédures de charge conventionnelles, les exigences suivantes doivent être respectées :






- Les travaux doivent être entrepris seulement avec des outils appropriés (en cas d'incertitude, veiller à consulter le fabricant des outils destinés à être utilisés avec des réfrigérants inflammables).
- Veiller à ce qu'il n'y ait pas de contamination des différents réfrigérants lors de l'utilisation de l'équipement de charge. Les tuyaux ou conduites doivent être aussi courts que possible pour minimiser la quantité de réfrigérant qu'ils contiennent.
- Les bouteilles doivent être maintenues en position verticale.
- S'assurer que le système de réfrigération est mis à la terre avant de charger le système en réfrigérant.
- Étiqueter le système lorsque la charge est terminée (si ce n'est pas déjà fait).
- Il faut faire très attention à ne pas trop remplir le système de réfrigération.
- Avant de recharger le système, il doit être soumis à un essai de pression avec (OFN). Le système doit être soumis à un essai d'étanchéité à la fin de la charge, mais avant la mise en service. Un essai d'étanchéité de suivi doit être effectué avant de quitter le site.

9. Récupération

Lorsque l'on retire le réfrigérant d'un système, que ce soit à des fins d'entretien ou de mise hors service, il est recommandé de veiller à ce que tous les réfrigérants soient retirés en toute sécurité.

Lors du transfert de réfrigérant dans des bouteilles, veillez à n'utiliser que des bouteilles de récupération de réfrigérant appropriées. S'assurer de disposer du nombre correct de bouteilles pour contenir la charge totale du système. Toutes les bouteilles à utiliser sont désignées.

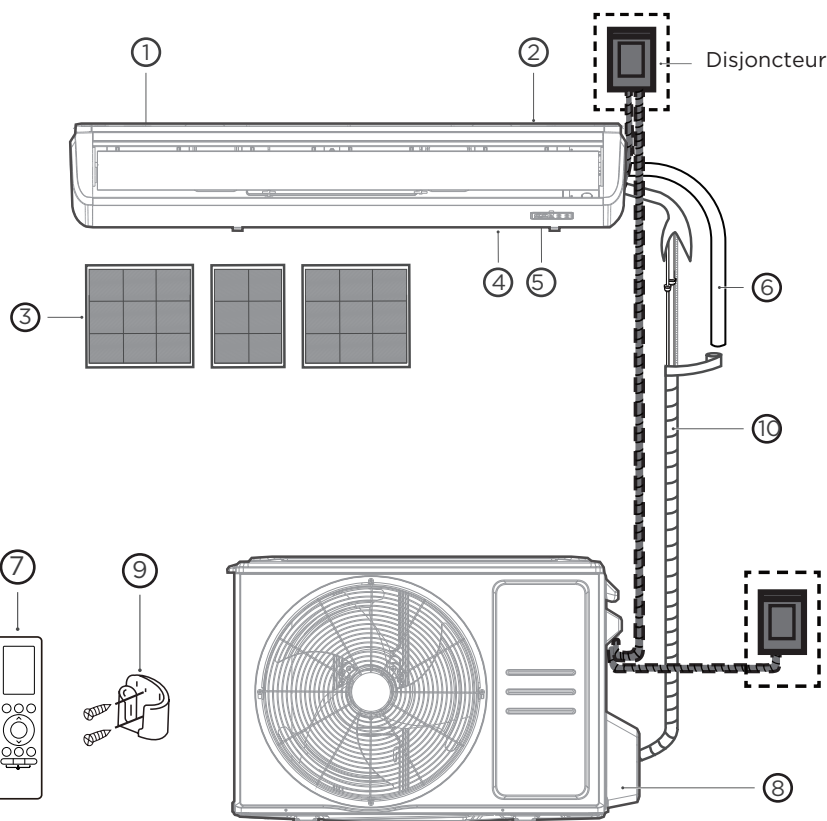
Explication des symboles affichés sur l'unité intérieure ou extérieure

	AVERTISSEMENT	Ce symbole indique que cet appareil utilise un réfrigérant inflammable. Si le réfrigérant a coulé et est exposé à une source d'allumage externe, il y a un risque d'incendie.
	MISE EN GARDE	Ce symbole indique qu'il faut lire attentivement la notice d'utilisation.
	MISE EN GARDE	Ce symbole indique qu'un technicien doit manipuler cet équipement en suivant les instructions du manuel d'installation.
	MISE EN GARDE	
	MISE EN GARDE	Ce symbole indique qu'il existe des informations dans la notice d'utilisation ou le manuel d'installation.

APERÇU DU PRODUIT

REMARQUE SUR LES ILLUSTRATIONS :

Les illustrations présentes dans ce manuel sont fournies uniquement à titre d'exemple. La forme réelle de votre unité intérieure peut être légèrement différente. La forme réelle prévaut.



- ① Persienne de flux d'air (à la sortie d'air)
- ② Pièce d'installation
- ③ Filtre à air
- ④ Entrée d'air (avec filtre à air)









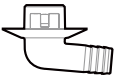
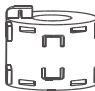





- ⑤ Panneau d'affichage
- ⑥ Tuyau de vidange
- ⑦ Télécommande
- ⑧ Unité d'extérieur

- ⑨ Support de télécommande (à acheter séparément)
- ⑩ Tuyauterie de réfrigérant (à acheter séparément)

INSTALLATION DU PRODUIT

ACCESSOIRES

Le système de climatisation est livré avec les accessoires suivants. Utiliser toutes les pièces et accessoires d'installation pour installer le climatiseur. Une mauvaise installation peut entraîner des fuites d'eau, des chocs électriques et un incendie, ou provoquer une défaillance de l'équipement. Les articles ne sont pas inclus avec le climatiseur ; ils doivent être achetés séparément.

Nom des accessoires	QTÉ (pc)	Forme	Nom des accessoires	QTÉ (pc)	Forme
Manuel	3		Télécommande	1	
Gaine insonorisée/ isolante	1		Batterie	2	
Gaine de la conduite d'évacuation	1		Support de télécommande (à acheter séparément)	1	
Fermeur de la conduite d'évacuation	2		Vis de fixation pour le support de la télécommande (à acheter séparément)	2	
Joint de vidange	1		Bague magnétique	1	
Bague d'étanchéité (Non disponible pour l'unité d'extérieur avec des dimensions de 38,58 po*38,39 po*16,34 po)	1		Écrou en cuivre	2	
Plaque d'installation du conduit	1				
Plaque d'installation	1		Anneau en caoutchouc	3	

Accessoires en option

Il existe deux types de télécommandes : filaire et sans fil.

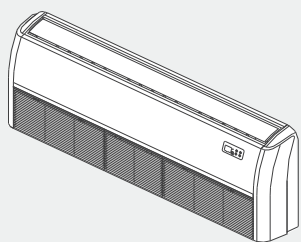
Sélectionnez une télécommande en fonction des préférences et des exigences du client et installez-la à un endroit approprié.

Reportez-vous aux catalogues et à la documentation technique pour obtenir des conseils sur le choix d'une télécommande appropriée.

Nom	Modèle	Spécification du tuyau		Remarque
		Côté liquide	Côté gaz	
Ensemble de tuyaux de raccordement	18 K	Ø1/4 po (Ø6,35 mm)	Ø1/2 po (Ø12,7 mm)	Les tuyaux ne sont pas inclus dans les accessoires et vous devez les acheter séparément auprès du concessionnaire local.
	24 K	Ø3/8 pi (Ø9,52 mm)	Ø5/8 po (Ø16 mm)	
	36 K	Ø3/8 pi (Ø9,52 mm)	Ø3/4 po (Ø19 mm)	
	48 K	Ø3/8 pi (Ø9,52 mm)	Ø3/4 po (Ø19 mm)	
	60 K	Ø3/8 pi (Ø9,52 mm)	Ø3/4 po (Ø19 mm)	

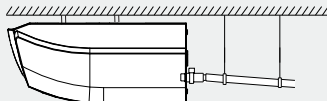
RÉSUMÉ RELATIF À L'INSTALLATION

1



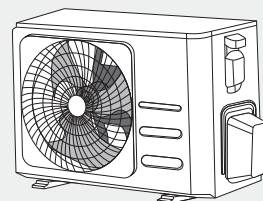
Installez l'unité intérieure

2



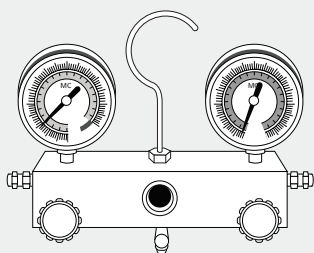
Installez le tuyau d'évacuation

3



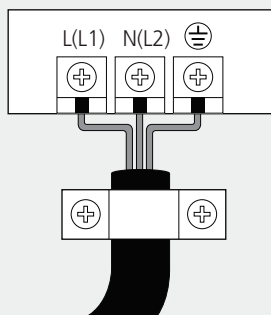
Installez l'unité extérieure

6



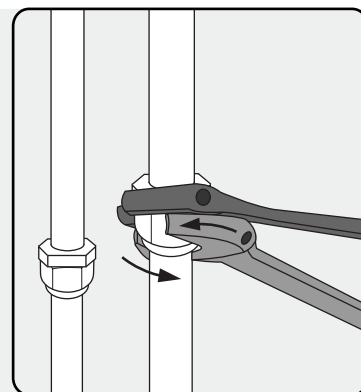
Évacuez le système de réfrigération

5



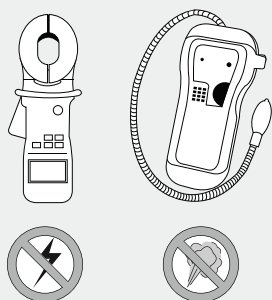
Raccordez les câbles

4



Raccordez les tuyaux de réfrigérant

7



Effectuez une série de tests

Installez votre unité intérieure

1 Sélectionner l'emplacement de l'installation

REMARQUE

Avant d'installer l'unité intérieure, consultez l'étiquette sur la boîte du produit pour vous assurer que le numéro de modèle de l'unité intérieure correspond au numéro de modèle de l'unité extérieure.

L'installation du panneau doit être effectuée une fois la tuyauterie et le câblage terminés.

Les emplacements d'installation appropriés répondent aux normes suivantes :

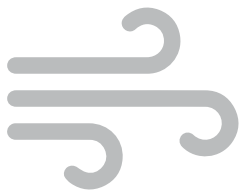


Il y a suffisamment d'espace pour l'installation et l'entretien.

Il y a suffisamment d'espace pour raccorder le tuyau et le tuyau de vidange.

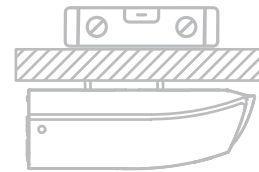


Il n'y a pas de radiation directe des radiateurs.



L'entrée et la sortie d'air ne sont pas bloquées.

Le flux d'air peut remplir toute la pièce.



Le plafond est horizontal et sa structure peut supporter le poids de l'unité d'intérieur.

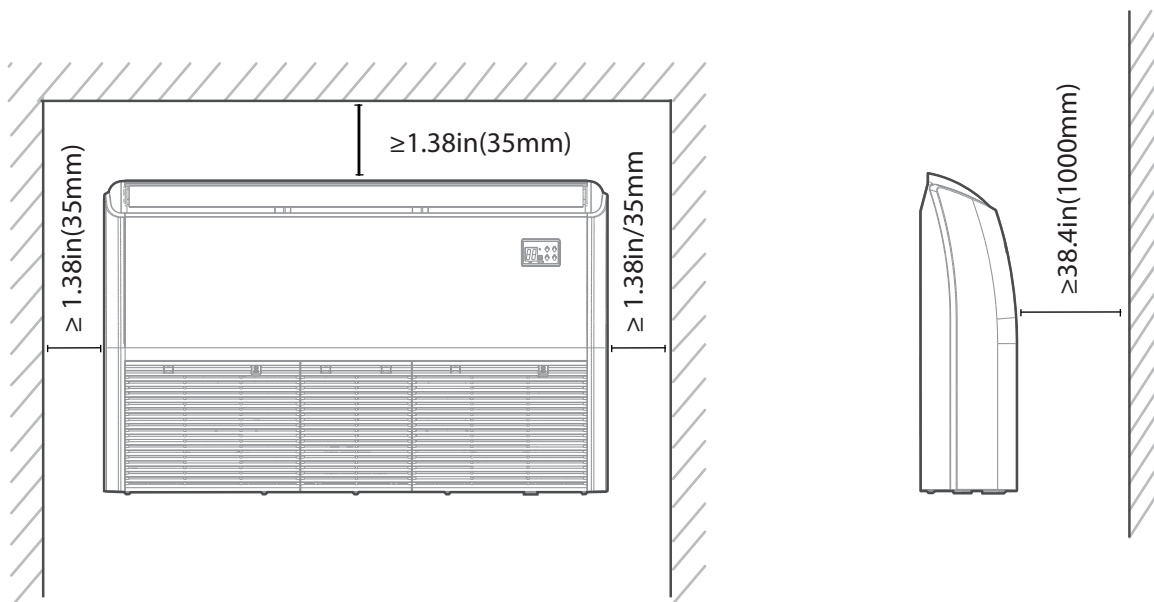
NE PAS installer l'appareil dans les endroits suivants :

- ⊘ Les zones de forage pétrolier ou de fracturation
- ⊘ Les zones côtières où la teneur en sel de l'air est élevée
- ⊘ Les zones où l'air contient des gaz caustiques, telles que les sources thermales
- ⊘ Les zones soumises à des fluctuations de puissance, telles que les usines
- ⊘ Les espaces fermés, tels que les armoires
- ⊘ Les cuisines utilisant le gaz naturel
- ⊘ Les zones à fortes ondes électromagnétiques
- ⊘ Les zones de stockage de matériaux inflammables ou de gaz
- ⊘ Les pièces à forte humidité, telles que les salles de bains ou les buanderies

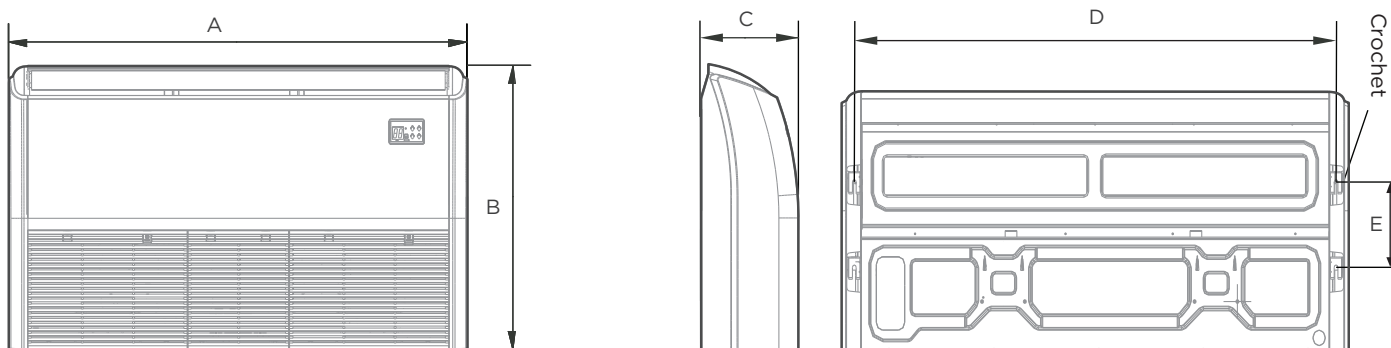
2 Confirmer les différents tailles

Distances recommandées entre l'unité d'intérieur

La distance entre les unités intérieures montées doit être conforme aux spécifications illustrées dans le diagramme suivant.



Taille d'installation des pièces d'intérieur

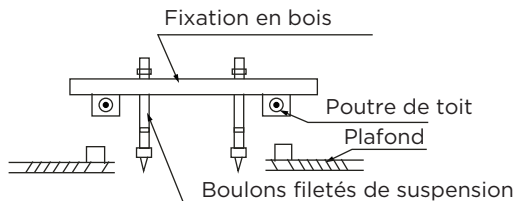


MODÈLE (Btu/h)	Longueur de A (pouce/mm)	Longueur de B (pouce/mm)	Longueur de C (pouce/mm)	Longueur de D (pouce/mm)	Longueur de E (pouce/mm)
18 K-24 K	42/1068	26,6/675	9,3/235	38,7/983	8,7/220
36 K-60 K	65/1650	26,6/675	9,3/235	61,6/1565	8,7/220

3 Accrocher l'unité intérieure

Installation de la structure en bois

Placez le support en bois en travers de la poutre de toit, puis installez les vis de suspension.



Nouvelles briques en béton

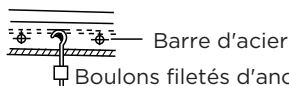
Incrustez ou encastrez les vis.



(Insertion de la forme de la pale)



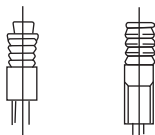
(Insertion de la glissière)



(Vis d'accrochage et d'encastrement des tuyaux)

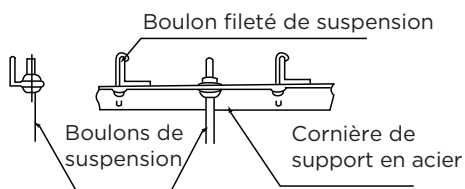
Briques en béton d'origine

Installer le crochet de suspension avec boulon expansible dans le béton à une profondeur de (17,7 po ~ 19,7 po) 45-50 mm pour éviter le desserrage.



Structure de la poutre de toit en acier

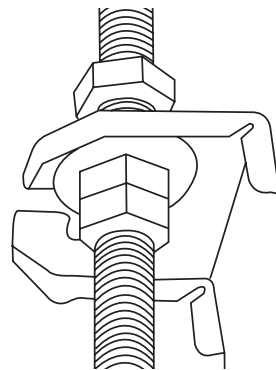
Installez et utilisez la cornière de support en acier.



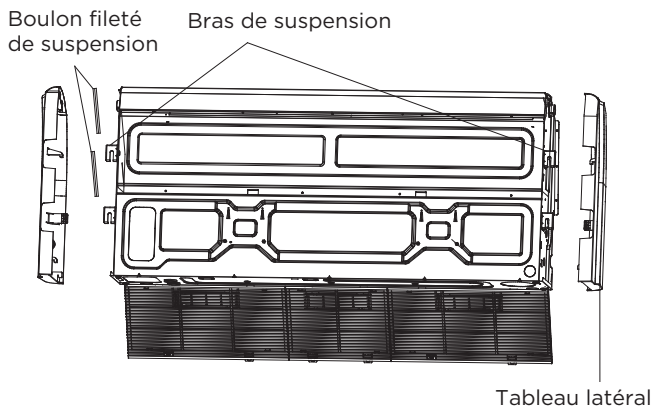
⚠ MISE EN GARDE

Le corps de l'appareil doit être complètement aligné avec le trou. Assurez-vous que l'appareil et le trou sont de la même taille avant de continuer.

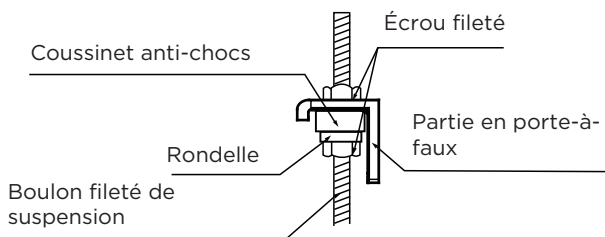
1. Installer et poser les tuyaux et les fils après avoir terminé l'installation du corps principal. Lorsque vous choisissez le point de départ, déterminer la direction des tuyaux à tirer. En particulier dans le cas d'un plafond, alignez les tuyaux de réfrigérant, les tuyaux de vidange et les conduites intérieures et extérieures avec leurs points de connexion avant de monter l'appareil.
2. Installer les boulons filetés de suspension.
 - Coupez la poutre de toit.
 - Renforcer la zone où la coupe a été faite et consolider la poutre de toit.
3. Après avoir choisi le lieu d'installation, placer les tuyaux de réfrigérant, les tuyaux de vidange et les câbles intérieurs et extérieurs aux points de connexion avant de monter la machine.
4. Percez 4 trous de 4 po (10 cm) de profondeur aux emplacements des crochets de plafond dans le plafond intérieur. Veillez à tenir la perceuse à un angle de 90° par rapport au plafond.
5. Fixer le boulon à l'aide des rondelles et des écrous fournis.
6. Installez les quatre boulons de suspension.
7. Monter l'unité d'intérieure. Vous aurez besoin de deux personnes pour le soulever et le sécuriser. Insérer les boulons de suspension dans les trous de fixation de l'appareil. Les fixer à l'aide des rondelles et des écrous inclus.



8. Retirer le tableau latéral et la grille.

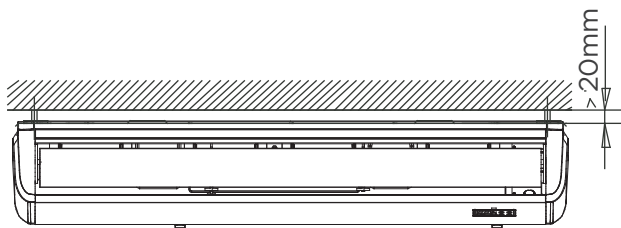


9. Montez l'unité intérieure sur les vis de suspension à l'aide d'une cale. Placer l'unité intérieure à plat en utilisant un indicateur de niveau pour éviter les fuites.



REMARQUE : Confirmez que l'inclinaison minimale de la vidange est de 1/100 ou plus.

Installation au plafond

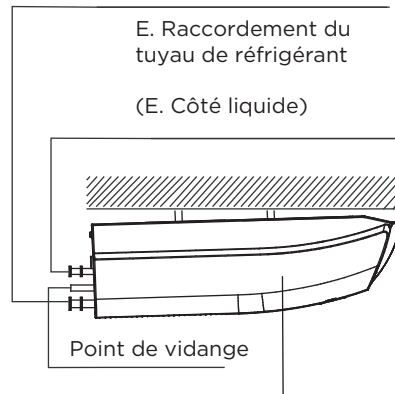


D. Raccordement du tuyau de réfrigérant

(D. Côté gas)

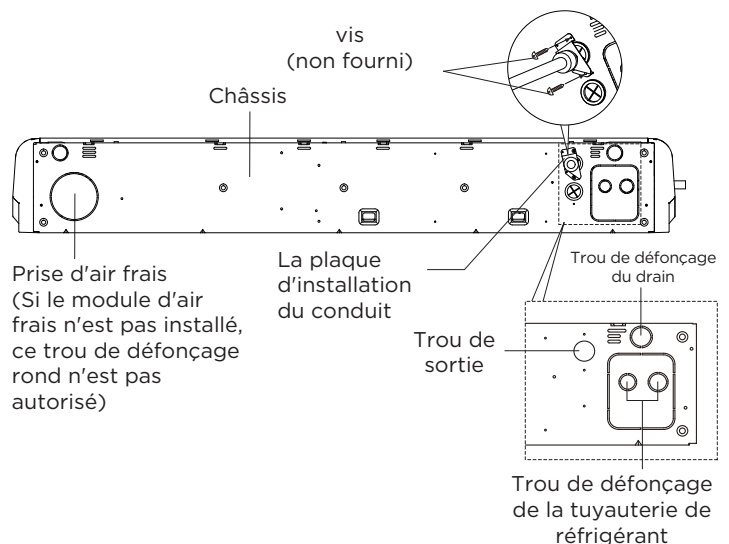
E. Raccordement du tuyau de réfrigérant

(E. Côté liquide)

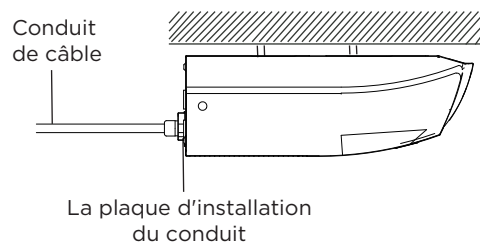


Comment installer la plaque d'installation du conduit (si fournie)

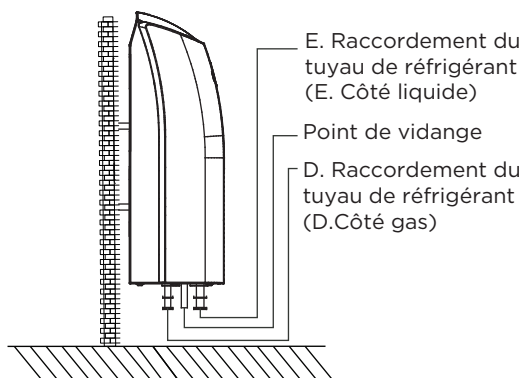
1. Fixer le connecteur de gaine du conduit (non fourni) sur le trou de fil de la plaque d'installation du conduit.
2. Fixer la plaque d'installation du conduit sur le châssis de l'unité.



REMARQUE : Lors de l'installation, ouvrir les trous de défonçage ronds correspondants comme indiqué sur l'illustration, les trous de défonçage rectangulaires ne sont pas autorisés.

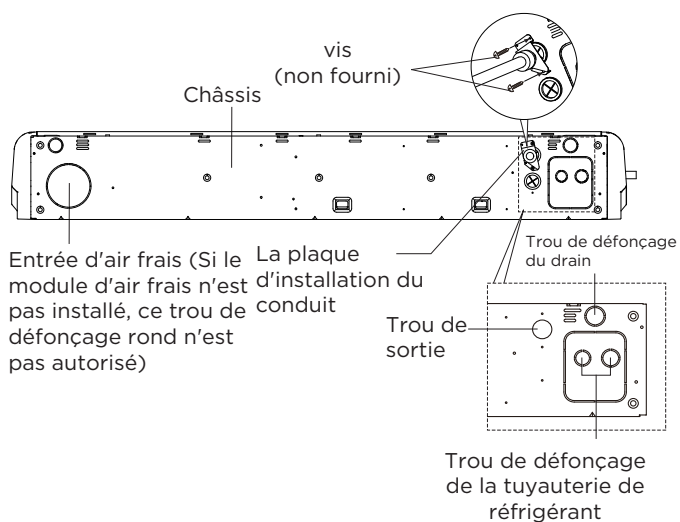


Installation murale



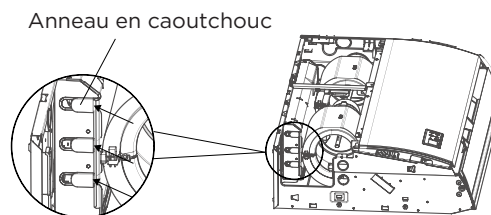
Comment installer la plaque d'installation du conduit (si fournie)

1. Fixer le connecteur de gaine du conduit (non fourni) sur le trou de fil de la plaque d'installation du conduit.
2. Fixer la plaque d'installation du conduit sur le châssis de l'unité.

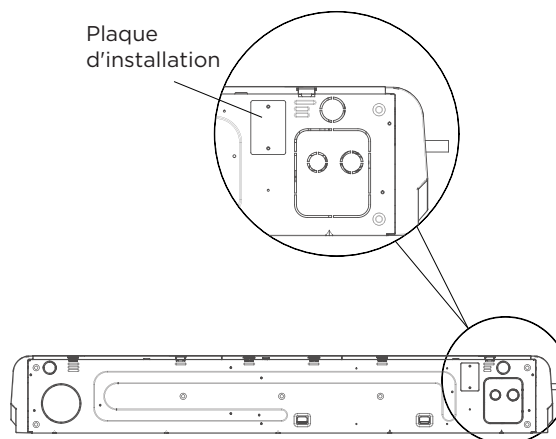


REMARQUE : Lors de l'installation, ouvrir les trous de défonçage ronds correspondants comme indiqué sur l'illustration, les trous de défonçage rectangulaires ne sont pas autorisés.

Le trou de fil



1. Des anneaux en caoutchouc sont utilisés pour bloquer l'espace excédentaire dans les trois trous traversants du boîtier de commande électronique.



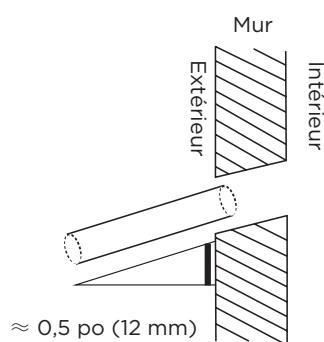
2. La plaque d'installation est utilisée pour bloquer les trous de sortie au bas de la base lorsqu'elle est hors de la ligne latérale.

4 Percer un trou dans le mur pour la tuyauterie de raccordement

1. Déterminez l'emplacement du trou mural en fonction de l'emplacement de l'unité extérieure.
2. À l'aide d'une perceuse à colonne de 2,5 po (65 mm) ou de 3,54 po (90 mm), percer un trou dans le mur. Veillez à ce que le trou soit percé avec un léger angle vers le bas, de sorte que l'extrémité extérieure du trou soit plus basse que l'extrémité intérieure d'environ 0,5 po (12 mm). Cela permettra d'assurer une bonne évacuation de l'eau.
3. Placez la manchette murale de protection dans le trou. Cela permet de protéger les bords du trou et de le sceller lorsque vous aurez terminé l'installation.

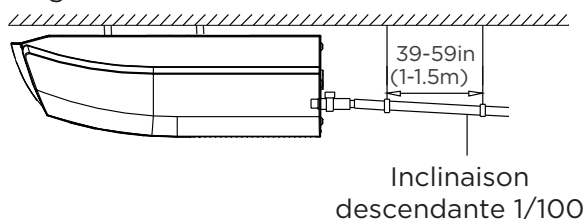
⚠ MISE EN GARDE

En perceant le trou dans le mur, veillez à éviter les câbles, la plomberie et tout autre élément sensible.

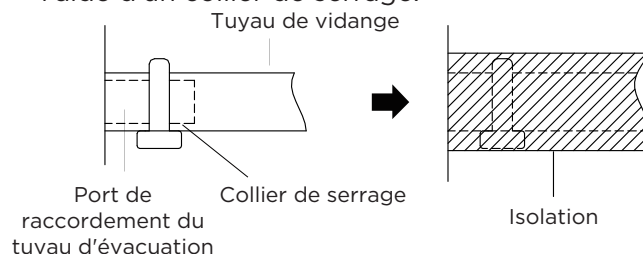


Installation du tuyau de vidange intérieur

Installez le tuyau de vidange comme illustré dans la figure suivante.



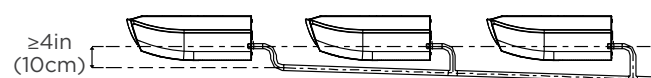
1. Recouvrez le tuyau de vidange d'un isolant thermique pour éviter la condensation et les fuites.
2. Fixez l'embouchure du tuyau de vidange à la conduite d'évacuation de l'appareil. Enveloppez l'embouchure du tuyau et fixez-la fermement à l'aide d'un collier de serrage.



NOTE SUR L'INSTALLATION DU TUYAU DE VIDANGE

- Lorsque vous utilisez un tuyau de vidange prolongé, serrer la connexion intérieure avec un tube de protection supplémentaire pour l'empêcher de se desserrer.
- Le tuyau de vidange doit être incliné vers le bas avec une pente d'au moins 1/100 pour empêcher l'eau de refluer dans le climatiseur.
- Pour éviter que le tuyau ne s'affaisse, espacer les fils de suspension tous les 39-59po (1-1,5 m).
- Une installation incorrecte peut entraîner un retour de l'eau dans l'unité et une inondation.

REMARQUE : Lors du raccordement de plusieurs tuyaux de vidange, installer les tuyaux comme illustré dans la figure suivante.



3. Faites passer le tuyau de vidange par le trou du mur. Veillez à ce que l'eau s'écoule dans un endroit sûr où elle ne causera pas de dégâts d'eau et ne constituera pas un risque de glissade.

REMARQUE : La sortie du tuyau de vidange doit être située à au moins 1,9 po (5 cm) au-dessus du sol. Si elle touche le sol, l'appareil risque de se bloquer et de mal fonctionner. Si vous évacuez l'eau directement dans un égout, veillez à ce que celui-ci soit équipé d'un tuyau en U ou en S afin de capter les odeurs qui pourraient sinon revenir dans la maison.

4. Raccorder le tuyau d'évacuation

Le tuyau de vidange sert à évacuer l'eau de l'appareil. Une installation incorrecte peut entraîner des dommages à l'appareil et aux biens.

⚠ MISE EN GARDE

- Isolez toutes les tuyauteries pour éviter la condensation, qui pourrait entraîner des dégâts des eaux.
- Si le tuyau de vidange est tordu ou mal installé, de l'eau peut s'écouler et provoquer un dysfonctionnement du détecteur de niveau d'eau.
- En mode CHAUFFAGE, l'unité extérieure évacue l'eau. Veillez à ce que le tuyau de vidange soit placé dans un endroit approprié afin d'éviter tout dommage causé par l'eau et tout glissement.
- **NE TIREZ PAS** sur le tuyau de vidange avec force. Cela pourrait le déconnecter.

NOTE SUR L'ACHAT DES TUYAUX

L'installation nécessite un tube en polyéthylène (diamètre extérieur = 1,46-1,54 po/3,7-3,9 cm, diamètre intérieur = 1,26 po/3,2 cm), que vous pouvez vous procurer dans votre magasin de bricolage ou chez votre concessionnaire.

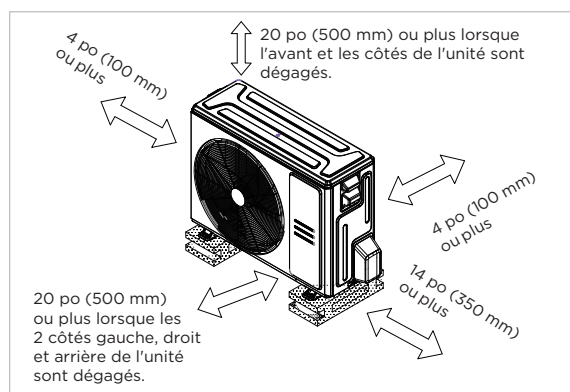
Installer votre unité extérieure

1 Sélectionner l'emplacement de l'installation

REMARQUE : AVANT L'INSTALLATION

Avant d'installer l'unité extérieure, vous devez choisir un emplacement approprié. Les normes suivantes vous aideront à choisir un emplacement approprié pour l'unité.

Les emplacements d'installation appropriés répondent aux normes suivantes :



✓ Bonne circulation de l'air et ventilation.



✓ Fermeté et solidité : l'emplacement doit pouvoir supporter l'appareil sans vibrer.



✓ Le bruit de l'unité ne dérange pas les autres personnes.



✓ Protection contre les périodes prolongées d'exposition directe au soleil ou à la pluie.



✓ Lorsque des chutes de neige sont prévues, prenez les mesures nécessaires pour éviter l'accumulation de glace et l'endommagement de la bobine.

✓ Respect de toutes les exigences en matière d'espace indiquées dans la section « Exigences en matière d'espace d'installation » plus haut.

REMARQUE

Installer l'unité en respectant les codes et règlements locaux, susceptibles de différer légèrement d'une région à l'autre.

MISE EN GARDE :

CONSIDÉRATIONS SPÉCIALES RELATIVES AUX CONDITIONS MÉTÉOROLOGIQUES EXTRÊMES

Si l'appareil est exposé à un vent violent :

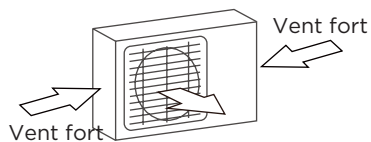
Installer l'unité de sorte que le ventilateur de sortie d'air soit à un angle de 90° par rapport à la direction du vent. Au besoin, ériger une barrière devant l'appareil afin de la protéger des vents très violents. Voir les figures ci-dessous.

Si l'appareil est fréquemment exposé à de fortes pluies ou à la neige :

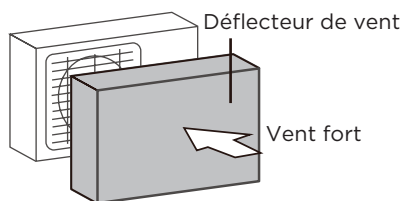
Construire un abri au-dessus d'elle afin de la protéger contre la pluie ou la neige. S'assurer de ne pas obstruer le flux d'air autour de l'appareil.

Si l'appareil est fréquemment exposé à l'air salé (bord de mer) :

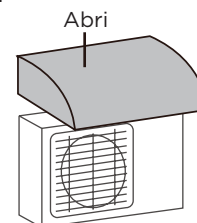
Utilisez une unité extérieure spécialement conçue pour résister à la corrosion.



angle de 90° par rapport à la direction du vent



Construire un coupe-vent pour protéger l'unité



Construire un abri pour protéger l'unité

NE PAS installer l'appareil dans les endroits suivants :

- ⊘ À proximité d'un obstacle qui bloquerait les entrées et sorties d'air.
- ⊘ À proximité d'une rue publique, d'un lieu très fréquenté ou d'un lieu où le bruit de l'appareil risque de perturber d'autres personnes.
- ⊘ À proximité d'animaux ou de plantes susceptibles d'être affectés par les rejets d'air chaud.
- ⊘ À proximité de toute source de gaz combustible.
- ⊘ Dans un environnement exposé à de grandes quantités de poussière.
- ⊘ Dans un environnement exposé à une quantité excessive d'air salé.

Avant de fixer l'unité extérieure, vous devez installer le joint d'évacuation à la base de l'unité.

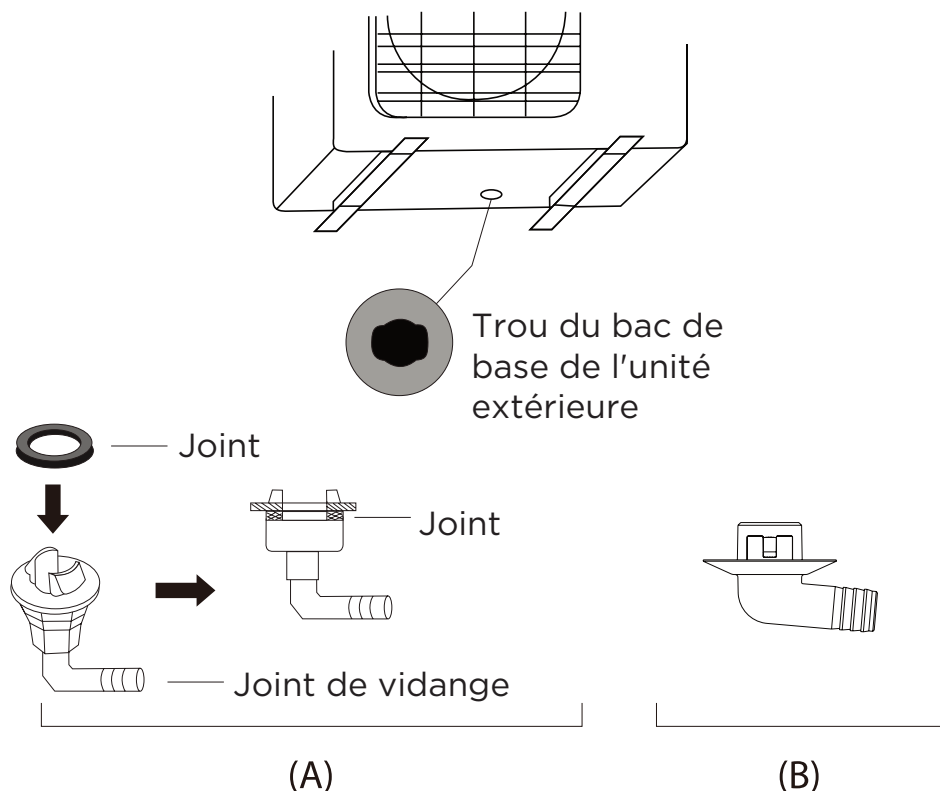
Notez qu'il existe deux types de joints de vidange différents selon le type d'unité extérieure.

Si le joint de vidange est doté d'un joint en caoutchouc (voir **Figure A**), procéder comme suit :

1. Placer la garniture en caoutchouc sur l'extrémité du joint d'évacuation qui sera raccordée à l'unité extérieure.
2. Insérer le joint d'évacuation dans le trou du bac de base de l'unité.
3. Tournez le joint de vidange de 90 °, jusqu'à ce qu'il s'enclenche face à l'avant de l'unité.
4. Raccordez une rallonge de tuyau d'évacuation (non fournie) au joint d'évacuation afin de rediriger l'eau hors de l'unité en mode chauffage.

Si le joint de vidange n'est pas doté d'un joint en caoutchouc (voir **Figure B**), procéder comme suit :

1. Insérer le joint de vidange dans le trou de la cuvette, appuyer fermement pour s'assurer qu'il est correctement installé et qu'il ne se détachera pas.
2. Raccordez une rallonge de tuyau d'évacuation (non fournie) au joint d'évacuation afin de rediriger l'eau hors de l'unité en mode chauffage.



! EN CLIMAT FROID

Dans les climats froids, s'assurer que le tuyau de vidange est aussi vertical que possible pour assurer un drainage rapide de l'eau. Si l'eau s'écoule trop lentement, elle peut geler dans le tuyau et inonder l'unité.

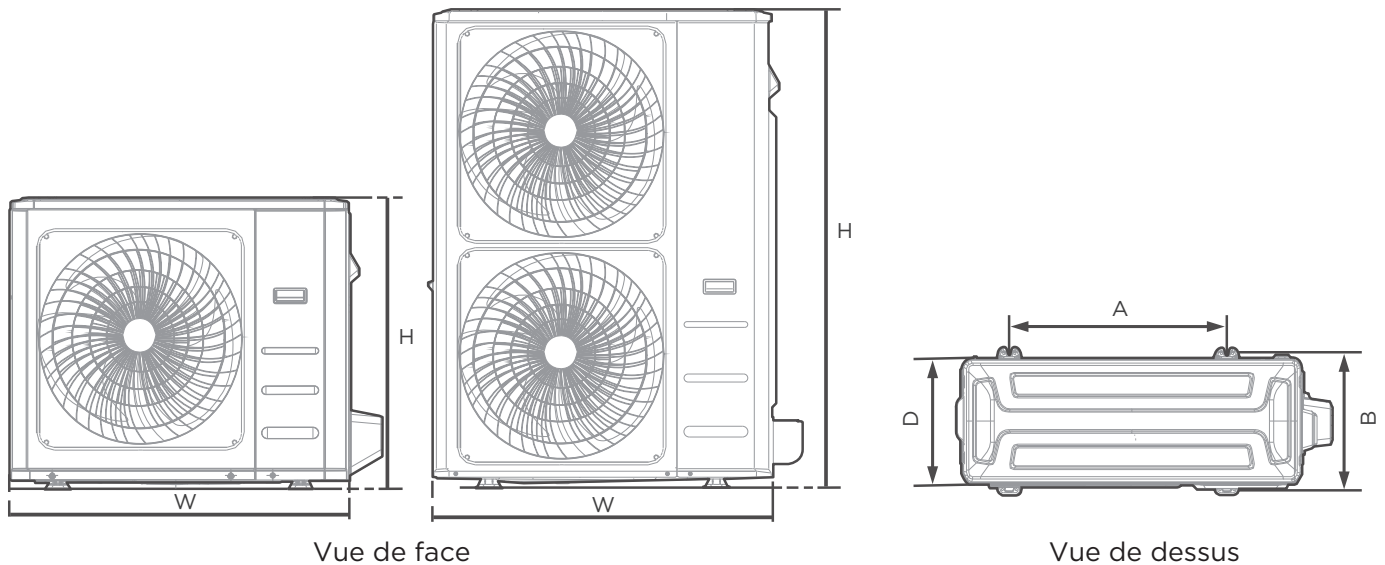
3 Ancrage de l'unité d'extérieure

⚠ AVERTISSEMENT

LORS DU PERÇAGE DU BÉTON, IL EST RECOMMANDÉ DE PORTER UNE PROTECTION OCULAIRE À TOUT MOMENT.

- L'unité extérieure peut être ancrée au sol ou à un support mural à l'aide d'un boulon (M10). Préparer la base d'installation de l'appareil selon les dimensions ci-dessous.
- Voici une liste des différentes tailles d'unités extérieures et de la distance entre leurs pieds de montage. Préparer la base d'installation de l'appareil selon les dimensions ci-dessous.

Types et caractéristiques de l'unité extérieure (unité extérieure de type split)

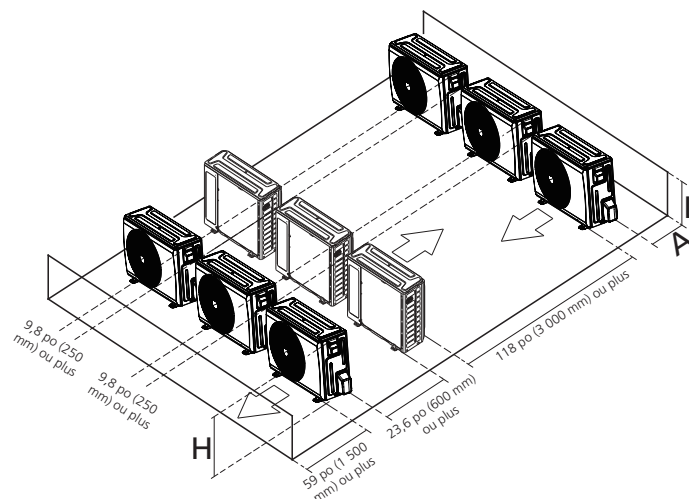


Rangées d'installation en série

Les relations entre H, A et L sont les suivantes

Dimensions de l'unité extérieure lx H x D	Dimensions de montage	
	Distance A	Distance B
35,0 po x 26,5 po x 13,5 po (890 mm x 673 mm x 342 mm)	26,1 po (663 mm)	13,9 po (354 mm)
37,2 po x 31,9 po x 16,14 po (946 mm x 810 mm x 410 mm)	26,5 po (673 mm)	15,87 po (403 mm)
37,5 po x 52,5 po x 16,34 po (952 mm x 1 333 mm x 415 mm)	24,96 po (634 mm)	15,9 po (404 mm)
38,58 in X 38,39 in X 16,34 in (980 mm X 975 mm X 415 mm)	24,25 po (616 mm)	15,63 po (397 mm)

	L	A
L ≤ H	L ≤ 1/2H	9,8 po (250 mm) ou plus
	1/2H < L ≤ H	11,8 po (300 mm) ou plus
L > H	Installation impossible	



RACCORDEMENT DE LA TUYAUTERIE DE RÉFRIGÉRANT

Lors du raccordement de la tuyauterie de réfrigérant, **NE LAISSEZ PAS** pénétrer dans l'unité des substances ou des gaz autres que le réfrigérant spécifié. La présence d'autres gaz ou substances réduit la capacité de l'unité et peut provoquer une pression anormalement élevée dans le cycle de réfrigération. Cela peut provoquer une explosion et des blessures.

Remarques sur la longueur et l'élévation des tuyaux

Longueur et hauteur de chute maximales en fonction des modèles.

Modèle	Longueur de la tuyauterie	Hauteur de chute maximale
18 K	98,4 pi/30 m	65,6 pi/20 m
24 K	164 pi/50 m	82 pi/25 m
36 K/48 K/60 K	246 pi/75 m	98,4 pi/30 m

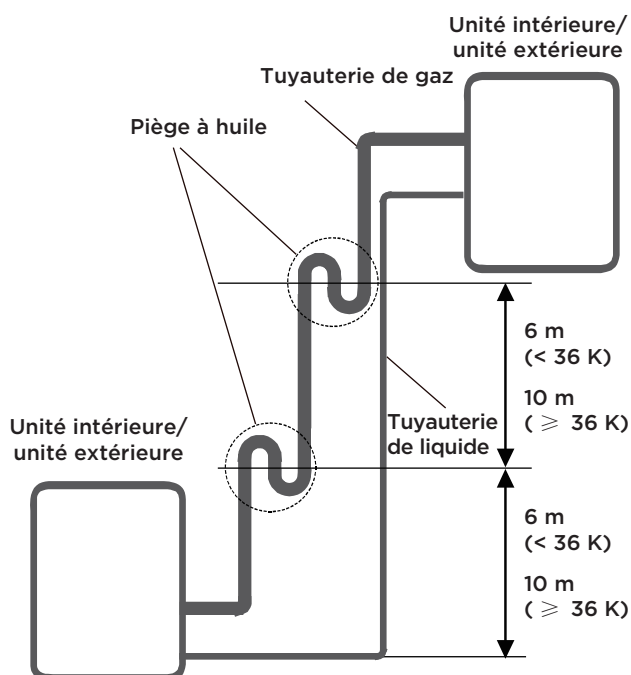
Assurez-vous que la longueur du tuyau de réfrigérant, le nombre de coudes et la hauteur de chute entre l'unité intérieure et l'unité extérieure répondent aux exigences indiquées dans le tableau ci-contre :

⚠ MISE EN GARDE

Pièges à huile

Si l'huile retourne dans le compresseur de l'unité extérieure, cela peut entraîner une compression de liquide ou une détérioration du retour d'huile. Des pièges à huile dans les conduites de gaz ascendantes peuvent empêcher ce phénomène.

Un piège à huile doit être installé tous les 20 pi (6 m) de ligne verticale d'aspiration à colonne montante (< 36 K). Un piège à huile doit être installé tous les 32,8 pi (10 m) de la ligne verticale d'aspiration à colonne montante (≥ 36 K).



Instructions de raccordement – Tuyauterie de réfrigérant

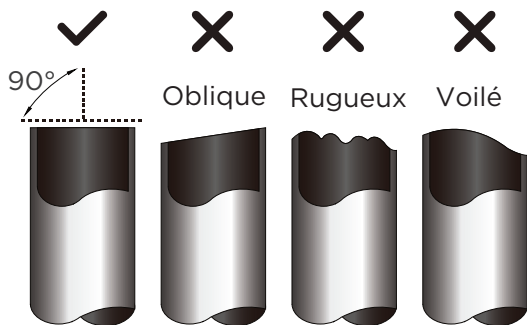
⚠ MISE EN GARDE

- Le tuyau de branchement doit être installé horizontalement. Un angle supérieur à 10 ° est susceptible d'entraîner des dysfonctionnements.
- **NE PAS** installer le tuyau de raccordement tant que les unités intérieure et extérieure n'ont pas été installées.
- Isolez les conduites de gaz et de liquide pour éviter la condensation.

Étape 1 : Découper les tuyaux

Lors de la préparation des tuyaux de réfrigérant, veillez à les couper et à les évaser correctement. Cette mesure permet d'assurer un fonctionnement efficace et minimise les besoins d'entretien futurs.

- Mesurer la distance entre les unités intérieure et extérieure.
- À l'aide d'un coupe-tuyau, couper le tuyau un peu plus long que la distance mesurée.
- Veillez à ce que le tuyau soit coupé à un angle de 90° exactement.



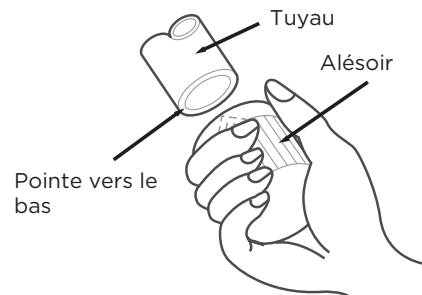
⚡ NE PAS DÉFORMER LE TUYAU LORS DE SA DÉCOUPE

Évitez absolument d'endommager, de bosseler ou de déformer le tuyau lorsque vous le coupez. Cela permettra de réduire considérablement le chauffage

Étape 2 : Enlevez les bavures

Les bavures peuvent nuire à l'étanchéité du raccordement de la tuyauterie de réfrigérant. Elles doivent être complètement enlevées.

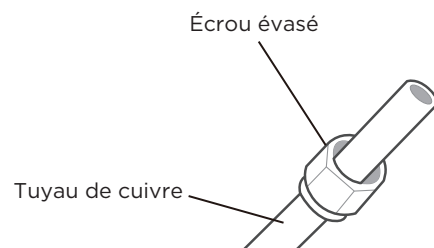
- Tenir le tuyau à un angle inférieur afin d'éviter que les bavures ne tombent à l'intérieur.
- À l'aide d'un alésoir ou d'un outil d'ébavurage, éliminer toutes les bavures de la section coupée du tuyau.



Étape 3 : Évaser les extrémités des tuyaux

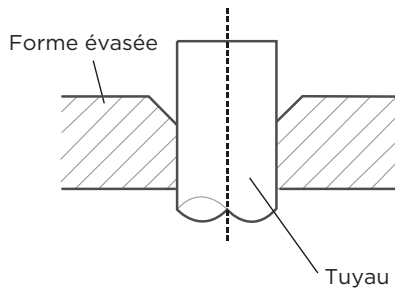
Un évasement correct est essentiel pour la réalisation d'un joint étanche.

- Après avoir enlevé les bavures des tuyaux coupés, scellez les extrémités avec du ruban PVC afin d'éviter que des matériaux étrangers ne pénètrent dans le tuyau.
- Recouvrir le tuyau d'un matériau isolant.
- Poser des écrous évasés aux deux extrémités du tuyau. Veillez à ce qu'ils soient orientés dans la direction appropriée, car il n'est pas possible de les mettre en place ou de changer leur direction après les avoir évasés.



- Retirer le ruban de PVC des extrémités du tuyau lorsque vous êtes prêt à effectuer les opérations d'évasement.

- Serrez l'évasement à l'extrémité du tuyau. L'extrémité du tuyau doit dépasser la forme évasée.



- Placez l'outil d'évasement sur la forme.
- Tournez la poignée de l'outil d'évasement dans le sens horaire jusqu'à ce que le tuyau soit complètement évasé.

EXTENSION DE TUYAU AU-DELÀ DE LA FORME ÉVASÉE

Jauge de tuyau	Couple de serrage	Dimension de l'évasement (A)	Forme évasée
Ø1/4 po (Ø6,35 mm)	18-20 N.m (180-200 kgf.cm)	0,33-0,34 po (8,4-8,7 mm)	
Ø3/8 po (Ø9,52 mm)	32-39 N.m (320-390 kgf.cm)	0,52-0,53 po (13,2-13,5 mm)	
Ø1/2 po (Ø12,7 mm)	49-59 N.m (490-590 kgf.cm)	0,64-0,65 po (16,2-16,5 mm)	
Ø 5/8 po (Ø16 mm)	57-71 N.m (570-710 kgf.cm)	0,76-0,78 po (19,2-19,7 mm)	
Ø3/4 po (Ø19 mm)	67-101 N.m (670-1010 kgf.cm)	0,91-0,93 po (23,2-23,7 mm)	

- Retirer l'outil d'évasement et la forme évasée, puis inspecter l'extrémité du tuyau pour déceler des fissures et vérifier que l'évasement est uniforme.

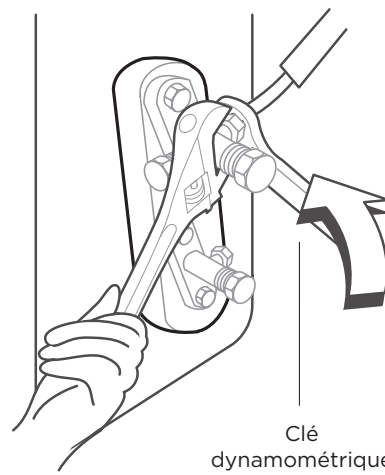
Étape 4 : Raccordez les tuyaux

Raccorder d'abord les tuyaux en cuivre à l'unité d'intérieur, puis les raccorder à l'unité d'extérieur. Vous devez d'abord raccorder le tuyau basse pression, puis le tuyau haute pression.

- Lorsque vous raccordez les écrous évasés, appliquer une fine couche d'huile de réfrigération sur les extrémités évasées des tuyaux.
- Alignez le centre des deux tuyaux que vous allez raccorder.
- Serrez fermement l'écrou évasé à la main.
- À l'aide d'une clé, saisissez l'écrou sur le tube de l'unité.
- Tout en saisissant fermement l'écrou, utiliser une clé dynamométrique pour serrer l'écrou évasé selon les valeurs de couple indiquées dans le tableau ci-dessus.

AVIS

Utilisez à la fois une clé et une clé dynamométrique pour le raccordement ou le retrait des tuyaux sur/de l'unité.



⚠ MISE EN GARDE

Veillez à entourer la tuyauterie d'un isolant. Le contact direct avec la tuyauterie nue peut entraîner des brûlures ou des gelures.

- Assurez-vous que le tuyau est correctement raccordé. Un serrage excessif peut endommager le pavillon et un serrage insuffisant peut entraîner des fuites.

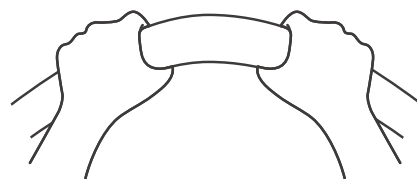
⚠ AVIS

RAYON DE COURBURE MINIMUM

Courbez délicatement le tube au milieu selon le diagramme ci-dessous.

Assurez-vous de **NE PAS** courber le tube à plus de 90 ° ou plus de 3 fois.

Utiliser l'outil approprié



rayon min 3,9 po (10 cm)

- Après avoir raccordé les tuyaux en cuivre à l'unité intérieure, enroulez le câble d'alimentation, le câble de signal et le tuyau avec du ruban adhésif.

⚠ AVIS

Assurez-vous de **NE PAS** entrecroiser le câble de signal avec d'autres fils. Lorsque vous rassemblez ces éléments,

N'ENTRECROISEZ PAS ou ne croisez pas le câble de signal avec d'autres câbles.

PRÉCAUTIONS DE CÂBLAGE

⚠ AVERTISSEMENT

AVANT D'EFFECTUER TOUT TRAVAIL ÉLECTRIQUE, LISEZ CES AVERTISSEMENTS.

- L'ensemble du câblage doit être conforme aux codes et réglementations électriques locaux et nationaux et l'installation doit être effectuée par un électricien agréé.
- Tous les raccordements électriques doivent être effectués conformément au schéma de raccordement électrique situé sur les panneaux des unités intérieure et extérieure.
- En cas de problème de sécurité grave avec l'alimentation électrique, arrêtez immédiatement le travail. Expliquez la situation au client et refusez d'installer l'unité jusqu'à ce que le problème de sécurité soit correctement résolu.
- La tension d'alimentation doit être comprise entre 90 et 110 % de la tension nominale. Une alimentation électrique insuffisante pourrait provoquer un dysfonctionnement, un choc électrique ou un incendie.
- Il est recommandé d'installer un suppresseur de surtension externe au niveau de la déconnexion extérieure.
- Si vous connectez l'alimentation à un câblage fixe, un interrupteur ou un disjoncteur qui déconnecte tous les pôles et qui assure une distance de séparation des contacts d'au moins 1/8 po (3 mm) doit être incorporé dans le câblage fixe. Le technicien qualifié doit utiliser un disjoncteur ou un interrupteur approuvé.
- Ne raccordez l'appareil qu'à un circuit de dérivation individuel. Ne branchez aucun autre appareil sur cette prise.
- Assurez-vous que le climatiseur dispose d'une mise à la terre appropriée.
- Chaque fil doit être fermement connecté. Un fil desserré peut provoquer une surchauffe du terminal, entraînant un dysfonctionnement du produit et un éventuel incendie.
- S'assurer que les fils ne touchent pas et ne reposent pas contre les tubes de réfrigérant, le compresseur ou toute pièce mobile à l'intérieur de l'unité.
- Si l'unité est équipée d'un chauffage électrique auxiliaire, celui-ci doit être installé à au moins à 40 po (1 m) de tout matériau combustible.
- Pour éviter tout choc électrique, ne jamais toucher les composants électriques peu de temps après la coupure de l'alimentation électrique. Après avoir coupé l'alimentation, attendez toujours 10 minutes ou plus avant de toucher les composants électriques.
- Assurez-vous de ne pas croiser vos câbles électriques avec votre câble de signal.
- Cela peut provoquer des distorsions, des interférences ou endommager les cartes de circuits imprimés.
- Aucun autre équipement ne doit être connecté au même circuit électrique.
- Connectez les fils extérieurs avant de connecter les fils intérieurs.

⚠ AVERTISSEMENT

AVANT D'EFFECTUER TOUT TRAVAIL ÉLECTRIQUE OU DE CÂBLAGE, COUPEZ L'ALIMENTATION PRINCIPALE DU SYSTÈME.

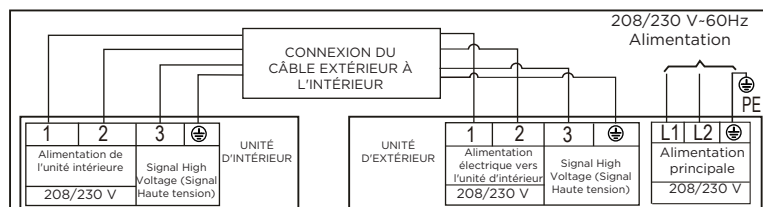


Schéma de connexion (18 K/24 K)

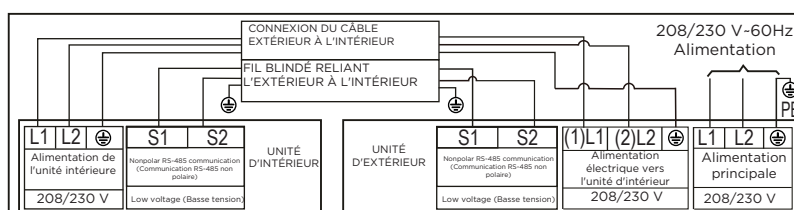
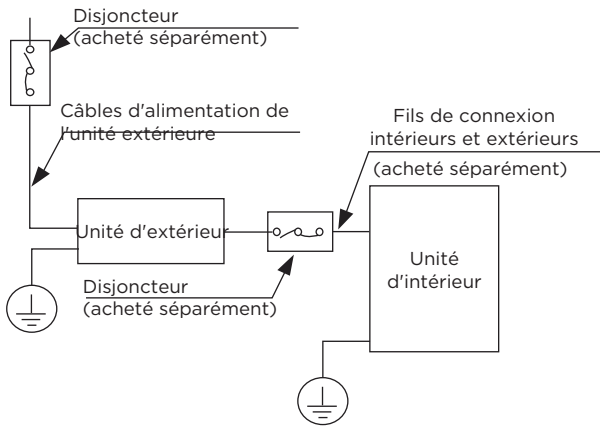


Schéma de connexion (36 K/48 K/60 K)

REMARQUE SUR LE DISJONCTEUR

Lorsque le courant maximum du climatiseur est supérieur à 16 A, un commutateur d'air ou un commutateur de protection contre les fuites avec dispositif de protection doit être utilisé (acheté séparément). Lorsque le courant maximum du climatiseur est inférieur à 16 A, le cordon d'alimentation du climatiseur doit être équipé d'une prise (achetée séparément). En Amérique du Nord, l'application doit être câblée conformément aux exigences de la NEC et de la CEC.



REMARQUE : Les photographies ne sont fournies qu'à titre d'explication. Votre machine peut être légèrement différente. La forme réelle prévaut.

CÂBLAGE DE L'UNITÉ EXTÉRIEURE

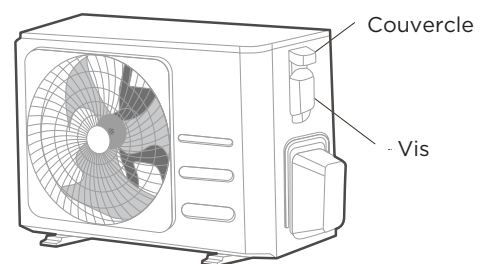
⚠ AVERTISSEMENT

Avant d'effectuer tout travail électrique ou de câblage, coupez l'alimentation principale du système.

1. Préparation du câble pour la connexion
 - a. Vous devez d'abord choisir la bonne taille de câble. Choisir le type de câble en fonction des codes et réglementations électriques locaux.
 - b. Les tailles nécessaires du câble d'alimentation, du câble de signal, du fusible et du commutateur sont déterminées par le l'intensité de circuit maximal de l'unité.
L'intensité de circuit maximal est précisé sur la plaque signalétique située sur le panneau latéral de l'unité. Se reporter à cette plaque signalétique pour choisir le bon câble, fusible ou commutateur.
 - c. À l'aide d'une pince à dénuder, dénuder le revêtement en caoutchouc des deux extrémités du câble de signal pour révéler environ 5,9 po (15 cm) de fil.
 - d. Dénuder l'isolant des extrémités.
 - e. À l'aide d'une pince à sertir, sertir des cosses en u aux deux extrémités.

REMARQUE : Lors de la connexion des fils, respectez strictement le schéma de câblage qui se trouve à l'intérieur du couvercle du boîtier électrique.

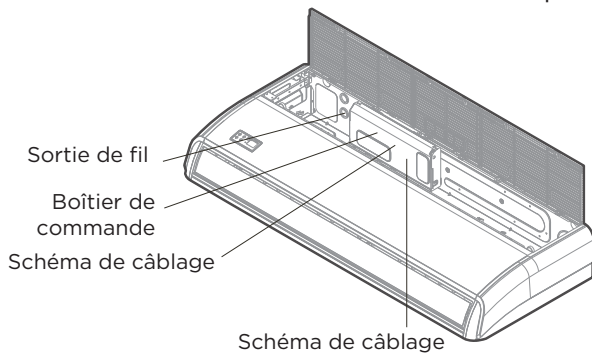
2. Retirez le couvercle électrique de l'unité extérieure. Si l'unité extérieure ne dispose pas de couvercle, retirer les boulons du panneau d'entretien et retirer le panneau de protection.



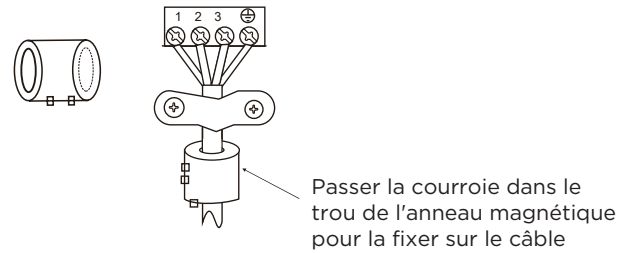
3. Connectez les cosses en U aux bornes. Faites correspondre les couleurs et les étiquettes des fils avec celles du bornier. Vissez fermement la cosse en U de chaque fil à la borne correspondante.
4. Fixez le câble à l'aide du serre-câble.
5. Isolez les parties inutilisées des fils avec du ruban isolant. Assurez-vous de les maintenir éloignés de toute pièce électrique ou métallique.
6. Réinstallez le couvercle du boîtier électrique.

CÂBLAGE DE L'UNITÉ INTÉRIURE

1. Préparation du câble pour la connexion
 - a. À l'aide d'une pince à dénuder, dénuder le revêtement en caoutchouc des deux extrémités du câble de signal pour faire apparaître environ 5,9 po (15 cm) de fil.
 - b. Dénudez les extrémités des fils.
 - c. À l'aide d'une pince à sertir, sertir les cosses en U aux extrémités des fils.
2. Ouvrir le panneau avant de l'unité d'intérieur. Retirer le couvercle de la boîte de commande électrique de votre unité d'intérieur.
3. Passer le câble d'alimentation et le câble de signal à travers la sortie du fil.
4. Connectez les cosses en U aux bornes. Faites correspondre les couleurs et les étiquettes des fils avec celles du bornier. Vissez fermement la cosse en U de chaque fil à la borne correspondante. Reportez-vous au numéro de série et au schéma de câblage situés sur le couvercle du boîtier de commande électrique.



Bague magnétique (si fournie et emballée avec les accessoires)



⚠ MISE EN GARDE

- Lors de la connexion des fils, veuillez suivre scrupuleusement le schéma de câblage.
- Le circuit du réfrigérant peut devenir très chaud. Tenez le câble d'interconnexion éloigné du tube de cuivre.

5. Fixez le câble à l'aide du serre-câble. Le câble ne doit pas être lâche et ne doit pas tirer sur les cosses en U.
6. Remettez en place le couvercle du boîtier électrique.

ÉVACUATION DE L'AIR

AVIS

Lorsque vous ouvrez les tiges des vannes, tournez la clé hexagonale jusqu'à ce qu'elle touche l'arrêt. Ne pas essayer de forcer la valve à s'ouvrir davantage.

Préparations et mesures de précautions

La présence d'air et de corps étrangers dans le circuit réfrigérant peut provoquer des augmentations anormales de pression qui sont susceptibles d'endommager le climatiseur, de réduire son efficacité et de provoquer des blessures. Utilisez une pompe à vide et un manomètre de collecteur pour évacuer le circuit réfrigérant, et éliminer tout gaz non condensable et toute humidité du système. L'évacuation doit être effectuée lors de l'installation initiale et lorsque l'unité est déplacée.

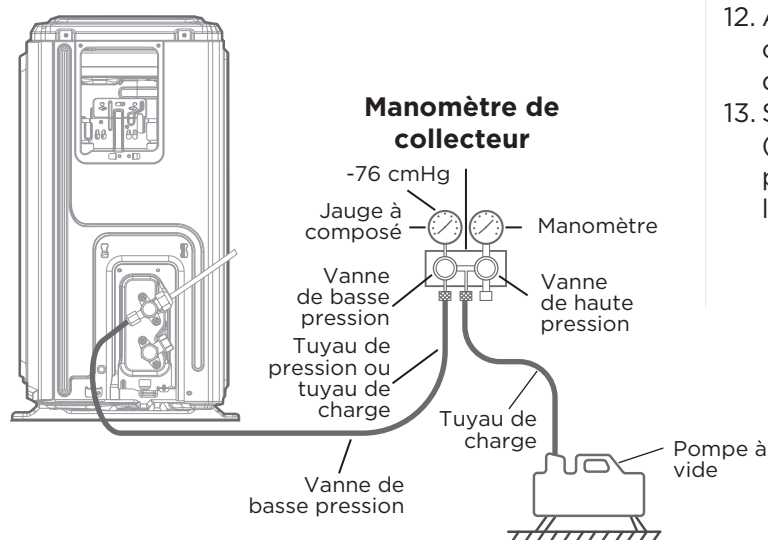
AVANT DE PROCÉDER À L'ÉVACUATION

- ✓ Vérifiez que les tuyaux de connexion entre les unités intérieures et extérieures sont correctement raccordés.
- ✓ Vérifiez que tous les câbles sont bien connectés.

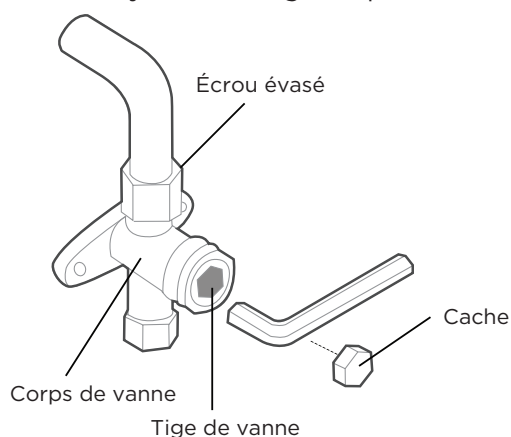
Instructions d'évacuation

1. Raccorder le tuyau de charge de la jauge du collecteur à l'orifice de service de la vanne de basse pression de l'unité extérieure.
2. Raccorder un autre tuyau de charge entre la jauge du collecteur et la pompe à vide.
3. Ouvrir le côté basse pression du manomètre du collecteur. Maintenir le côté haute pression fermé.
4. Allumer la pompe à vide pour évacuer le système.
5. Faire fonctionner le vide pendant au moins 15 minutes ou jusqu'à ce que le compteur de composés indique -76 cmHg (-10^5 Pa).

Unité d'extérieur



6. Fermez le côté basse pression du manomètre du collecteur et arrêtez la pompe à vide.
7. Attendez 5 minutes, puis vérifiez qu'il n'y a eu aucun changement de pression dans le système.
8. En cas de variation de la pression du système, reportez-vous à la section Vérification des fuites de gaz pour savoir comment vérifier l'absence de fuites. S'il n'y a aucun changement de pression dans le système, dévisser le bouchon de la vanne à joint (vanne de haute pression).
9. Insérez une clé hexagonale dans la vanne à joint (vanne haute pression) et ouvrez-la en tournant la clé d'un quart de tour dans le sens inverse des aiguilles d'une montre. Écoutez si le gaz sort du système, puis fermez la vanne après 5 secondes.
10. Surveillez le manomètre pendant une minute pour vous assurer qu'il n'y a aucun changement de pression. Le manomètre doit indiquer une pression légèrement supérieure à la pression atmosphérique.
11. Retirer le tuyau de charge du port de service.



12. À l'aide d'une clé hexagonale, ouvrir complètement les vannes de haute pression et de basse pression.
13. Serrer à la main les capuchons des trois vannes (orifice de service, haute pression, basse pression). Vous pouvez le serrer davantage à l'aide d'une clé dynamométrique si nécessaire.

REMARQUE RELATIVE À L'AJOUT DE RÉFRIGÉRANT

MISE EN GARDE

NE MÉLANGEZ PAS différents types de réfrigérants.

Certains systèmes nécessitent une charge supplémentaire en fonction de la longueur des tuyaux. En Amérique du Nord, la longueur standard des tuyaux est de 25 pi (7,5 m). Le réfrigérant doit être chargé à partir de l'orifice de service de la vanne basse pression de l'unité extérieure. La quantité de réfrigérant supplémentaire à charger peut être calculée à l'aide de la formule suivante :

	Diamètre côté liquide		
Réfrigérant	Ø1/4 po (Ø6,35 mm)	Ø3/8 po (Ø9,52 mm)	Ø1/2 po (Ø12,7mm)
R454B	(Longueur du tuyau - longueur standard) x 0,16 once/pi (Longueur du tuyau - longueur standard) x 15 g/m	(Longueur du tuyau - longueur standard) x 0,32 once/pi (Longueur du tuyau - longueur standard) x 30 g/m	(Longueur du tuyau - longueur standard) x 0,69 once/pi (Longueur du tuyau - longueur standard) x 65 g/m

TEST DE FONCTIONNEMENT

MISE EN GARDE

Le fait de ne pas effectuer un test de fonctionnement peut entraîner des dommages à l'unité, des dommages matériels ou des blessures corporelles.

Avant le test de fonctionnement

Un test de fonctionnement doit être effectué une fois que l'ensemble du système a été complètement installé. Confirmez les points suivants avant de procéder au test :

- a) Les unités intérieures et extérieures sont correctement installées.
- b) La tuyauterie et le câblage sont correctement raccordés.
- c) Il n'y a aucun obstacle à proximité de l'entrée et de la sortie de l'appareil qui pourrait entraîner de mauvaises performances ou un dysfonctionnement du produit.
- d) Le système de réfrigération ne fuit pas.
- e) Le système de drainage fonctionne sans entrave et s'écoule dans un endroit sûr.
- f) L'isolation du chauffage est correctement installée.
- g) Les fils de mise à la terre sont correctement connectés.
- h) La longueur de la tuyauterie et la capacité supplémentaire de réfrigérant ont été enregistrées.
- i) La tension d'alimentation est la bonne pour le climatiseur.

Instructions d'exécution du test de fonctionnement

1. Ouvrez les vannes d'arrêt de liquide et de gaz.
2. Allumez l'interrupteur d'alimentation principal et laissez l'appareil se réchauffer.
3. Réglez le climatiseur sur le mode COOL (REFROIDISSEMENT).
4. Pour l'unité intérieure
 - a. Assurez-vous que la télécommande et ses boutons fonctionnent correctement.
 - b. Assurez-vous que les persiennes bougent correctement et peuvent être modifiées à l'aide de la télécommande.
 - c. Vérifiez à nouveau si la température ambiante est enregistrée correctement.
 - d. Assurez-vous que les indicateurs sur la télécommande et le panneau d'affichage de l'unité intérieure fonctionnent correctement.
 - e. Assurez-vous que les boutons manuels de l'unité intérieure fonctionnent correctement.

- f. Vérifiez que le système de drainage fonctionne sans entrave et s'écoule normalement.
 - g. Assurez-vous qu'il n'y a pas de vibrations ou de bruits anormaux pendant le fonctionnement.
5. Pour l'unité extérieure
 - a. Vérifiez si le système de réfrigération fuit.
 - b. Assurez-vous qu'il n'y a pas de vibrations ou de bruits anormaux pendant le fonctionnement.
 - c. Assurez-vous que le vent, le bruit et l'eau générés par l'unité ne dérangent pas vos voisins et ne présentent pas de risque pour la sécurité.
 6. Test de vidange
 - a. Veillez à ce que l'écoulement dans le tuyau de vidange se passe sans problème. Les nouveaux bâtiments doivent effectuer ce test avant la finition du plafond.
 - b. Retirez le couvercle du test. Ajoutez 2000 ml d'eau dans le réservoir par le tube joint.
 - c. Allumez l'interrupteur principal et faites fonctionner le climatiseur en mode COOL (REFROIDISSEMENT).
 - d. Écoutez le son de la pompe de vidange pour voir si elle émet des bruits inhabituels.
 - e. Vérifiez que l'eau est évacuée. Il peut s'écouler jusqu'à une minute avant que l'appareil ne commence à se vider, en fonction du tuyau de vidange.
 - f. Assurez-vous qu'il n'y a pas de fuites dans la tuyauterie.
 - g. Arrêtez le climatiseur. Coupez l'interrupteur principal et réinstallez le couvercle de test.

REMARQUE : Si l'appareil fonctionne mal ou ne fonctionne pas selon vos attentes, veuillez vous référer à la section Dépannage dans le Manuel du propriétaire avant d'appeler le Service à la clientèle.

EMBALLAGE ET DÉBALLAGE DE L'APPAREIL

Instructions pour l'emballage/le déballage de l'appareil :

Déballage :

Unité intérieure :

1. Coupez la ceinture d'emballage.
2. Déballez l'emballage.
3. Retirez le coussin d'emballage et le support d'emballage.
4. Retirez le film d'emballage.
5. Retirez les accessoires.
6. Soulevez la machine et posez-la à plat.

Unité d'extérieur

1. Coupez la ceinture d'emballage.
2. Sortez l'appareil de son emballage.
3. Retirez la mousse de l'appareil.
4. Retirez le film d'emballage de l'appareil.

Emballage :

Unité intérieure :

1. Placez l'unité intérieure dans le film d'emballage.
2. Mettez les accessoires en place.
3. Placez le coussinet d'emballage et le support d'emballage.
4. Placez l'unité intérieure dans l'emballage.
5. Fermez l'emballage et scellez-le.
6. Utilisez la sangle d'emballage si nécessaire.

Unité d'extérieur :

1. Placez l'unité extérieure dans le film d'emballage.
2. Placez la mousse inférieure dans la boîte.
3. Placez l'unité extérieure dans l'emballage, puis placez la mousse d'emballage supérieure sur celui-ci.
4. Fermez l'emballage et scellez-le.
5. Utilisez la sangle d'emballage si nécessaire.

REMARQUE : Veuillez conserver tous les articles d'emballage au cas où vous en auriez besoin à l'avenir.

La conception et les spécifications sont sujettes à modification sans préavis aux fins d'améliorer le produit. Consultez le comptoir de vente ou le fabricant pour plus de détails. Toute mise à jour du manuel sera téléchargée sur le site web du service, veuillez vérifier la dernière version.

QS003I-DL(R454B)
16122700A25229