

SUBMITTAL - 12,000BTU DUCTED

Job Name: _____

Location: _____

Engineer: _____

Submitted By: _____

Submitted To: _____

Submitted For: _____

Reference **Approval**

Date: _____

Unit Tag: _____

Drawing No.: _____

Construction

WARRANTY

1 Year Parts & 5 Years Compressor
 When combined with Elios outdoor unit. Terms & Conditions Apply.

MODELS

Indoor DUA12HIDU230X5

CAPACITY

Cooling (Nominal Btu/h)	12000
Heating (Nominal Btu/h)	12000

LINE SET & REFRIGERANT

Liquid (in.)	1/4"
Gas (in.)	1/2"
Connection Type	Flared
Refrigerant Type	R410A
Drain Pipe O.D. (mm)	25

DIMENSIONS & WEIGHTS

Indoor	Net (WxDxH; in.)	27.56x19.92x7.87	
	Gross (WxDxH; in.)	33.86x21.26x11.22	
	Net Weight lbs kg	39.24	17.8
	Gross Weight lbs kg	48.5	22

INCLUDED ACCESSORIES

KJR-120L(R1)/EFU1 - Wired Controller	

2. Performance may vary depending on system design. 3. Connection of these accessories may require secondary items not listed; refer to full product literature. | Master Group is not responsible for the accuracy and validity of any changes made to this document without the written authorization of Master Group. Specifications subject to change without notice.



Images for reference only.

CERTIFIED¹





1. When combined with certified Elios outdoor unit.

ELECTRICAL

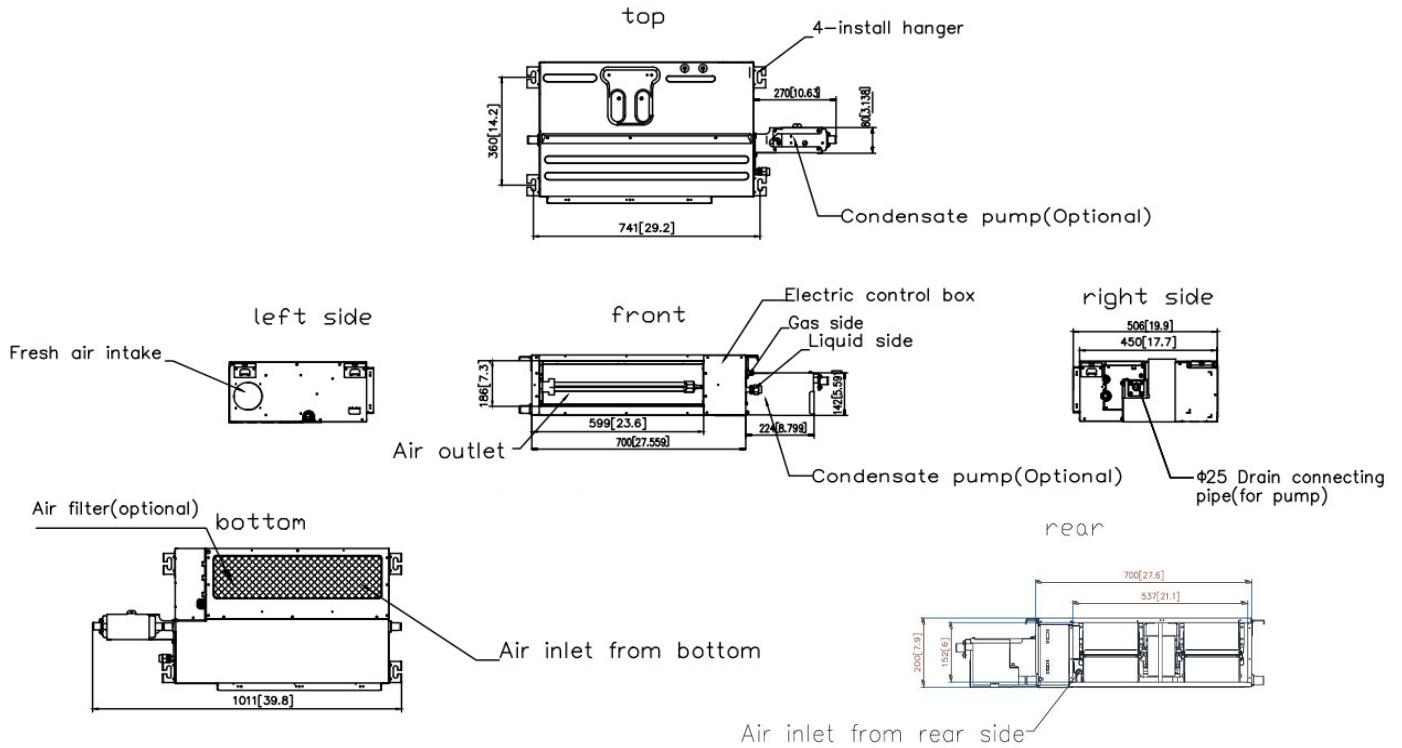
Power (From ODU)	(V/Ph/Hz)	208-230/1/60
Voltage Range	(V)	187-253
Power Input (W)		
Current (A)		

FAN ²					
Indoor	Turbo	High	Med.	Low	
CFM		352	282	176	
dB(A)		40	31.5	26.5	
Indoor ESP Range inWG					0-0.32
Indoor Moisture Removal (l/h)					1.69

OPTIONAL ACCESSORIES³

WF-60A1-F - Smart Port	<input type="checkbox"/>
KJR-120N(X6)/BGEF - Wired Controller	<input type="checkbox"/>
KJR-120N(X6W)/BGEF - Wired Controller	<input type="checkbox"/>
24VINTERFACEKITUNIVERSAL	<input type="checkbox"/>
	<input type="checkbox"/>
	<input type="checkbox"/>
	<input type="checkbox"/>
	<input type="checkbox"/>
	<input type="checkbox"/>
	<input type="checkbox"/>
	<input type="checkbox"/>

INDOOR UNIT DRAWING



NOTES