

SUBMITTAL - 27,000BTU MULTI-ZONE ODU - E25

Job Name: _____
Location: _____
Engineer: _____
Submitted By: _____
Submitted To: _____

Submitted For: _____ **Approval**
Reference **Construction**
Date: _____
Unit Tag: _____
Drawing No.: _____

WARRANTY			
1 Year Parts & 5 Years Compressor			
Terms & Conditions Apply.			
TYPE			
Air Source Heat Pump	<input type="checkbox"/>		
Cold Climate Air Source Heat Pump	<input checked="" type="checkbox"/>		
MODEL			
Outdoor	DEA27HOM25230X3		

CAPACITY RANGE ¹			
Output (Btu/h)	Min.	Rated	Max.
Cooling	7200	28000	32000
Heating	8400	28000	36000

HEATING PERFORMANCE ²			
Output (Btu/h)	Min.	Rated	Max.
47°F (8.3°C)	8400	28000	36000
17°F (-8.3°C)	6000	26600	27200
5°F (-15°C)	5400	25000	25200
-13°F (-25°C)		11000	11000

OUTDOOR TEMPERATURE OPERATING RANGE			
Cooling	-15~50 °C		5~122 °F
Heating ³	-30~24 °C		-22~75 °F

ELECTRICAL			
Power Supply	(V/Ph/Hz)	208-230/1/60	
Voltage Range	(V)	187-253	
MCA (A)	25	Max. Fuse (ODU) (A)	40
Power Input (W)	Non-Duct	Mixed	Ducted
Cooling (Rated)	2240	2310	2392
Cooling (Max.)	3493	3555	3614
Heating (Rated)	2240	2285	2331
Heating (Max.)	4074	4097	4120
Current (A)	Non-Duct	Mixed	Ducted
Cooling (Rated)	12.4	11.65	10.9
Heating (Rated)	10.5	10.75	11



Images for reference only.



CERTIFIED			
Non-Duct AHRI No.:	207742463	<input checked="" type="checkbox"/>	
Mixed AHRI No.:	207742465	<input checked="" type="checkbox"/>	
Ducted AHRI No.:	207742464	<input checked="" type="checkbox"/>	

EFFICIENCY RATINGS				
IDU Type	SEER2	EER2	HSPF2 (4)	HSPF2 (5)
Non-Duct	23	12.5	10.6	8.1
Mixed	21.5	12.1	10.05	7.8
Ducted	20	11.7	9.5	7.5
COP ²	47°F (8.3°C)	17°F (-8.3°C)	5°F (-15°C)	-13°F (-25°C)
Non-Duct	3.66	2.3	1.8	1.4
Mixed	3.58	2.3	1.8	1.2
Ducted	3.52	2.3	1.8	1

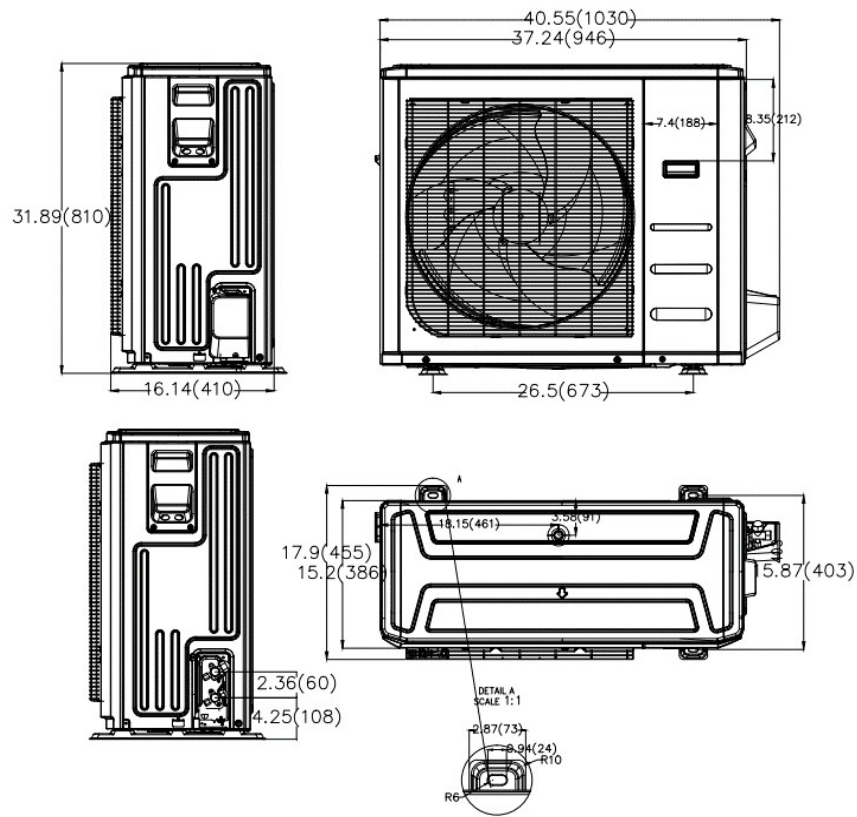
LINE SET & REFRIGERANT			
Liquid (in.)	3x1/4"		Connection Type
Gas (in.)	2x3/8"+1x1/2"		Flare
Max. Length (Total) (ft)	196.8		
Max. Length (Each) (ft)	98.4		
Max. Height Difference (ODU to IDU) (ft)	49.2		
Max. Height Difference (IDU to IDU) (ft)	33		
Pre-Charge Length (ft x Quantity Example)	25x3		
Ref. Type	R410A	Pre-Charge (oz)	134.04
Oil Type	VG74	Oil Volume (ml)	1000

1. Cooling Capacity Conditions: Indoor Temperature @ 80°F (26.7°C) DB; 67°F (19.4°C) WB with Outdoor Temperature @ 95°F (35°C) DB; 75°F (23.9°C) WB. Heating Capacity Conditions: Indoor Temperature @ 70°F (21.1°C) DB; 60°F (15.6°C) WB with Outdoor Temperature @ 47°F (8.3°C) DB; 43°F (6.1°C) WB. Line Set @ 25ft (7.5m); Height Difference @ 0ft (0m). 2. COP for all temperatures is @ rated output except when rated output is not given. In that case, COP is @ max. output. Heating performance varies subject to specific indoor unit combination. 3. System continues to operate below rated outdoor temperature operating range, subject to varying conditions. System has no low temperature cutout. Capacity is not tested outside of the rated temperature range. | Master Group is not responsible for the accuracy and validity of any changes made to this document without the written authorization of Master Group. Specifications subject to change without notice.

DIMENSIONS & WEIGHTS			
Outdoor	Net (WxDxH; in.)	37.24x16.14x31.89	
	Gross (WxDxH; in.)	42.91x19.69x34.84	
	Net Weight lbs kg	167.99	76.2
	Gross Weight lbs kg	179.67	81.5
KEY FEATURES			
Rotary Inverter Compressor		<input checked="" type="checkbox"/>	
Twin Rotary Inverter Compressor		<input type="checkbox"/>	
Base Pan Heater		<input checked="" type="checkbox"/>	
Crankcase Heater		<input checked="" type="checkbox"/>	
INCLUDED ACCESSORIES			
3/8" to 1/2" Adaptor			
1/2" to 3/8" Adaptor			
1/4" to 3/8" Adaptor			
1/2" to 5/8" Adaptor			

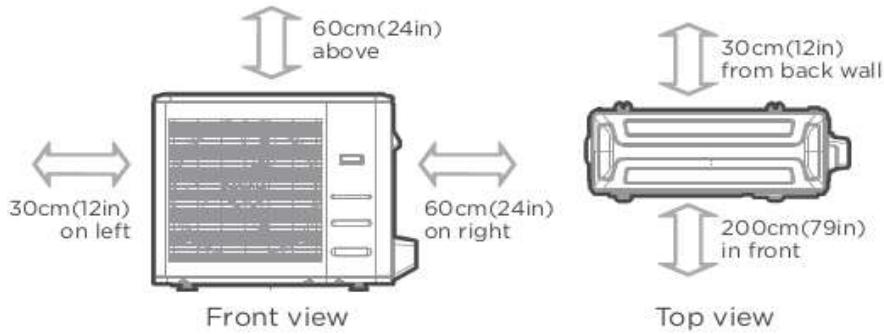
FAN	
Outdoor Max. CFM	2147
Outdoor Max. dB(A)	63
SYSTEM PAIRINGS	
Number of Indoor Units	2-3
Nominal Connection Range (Mbtu/h) ⁴	18-36
Indoor Unit Types	
DEAxxHIW25230E8 (Wall-Mount)	
DUAxxHIDU230X5 (Horizontal Ducted)	
DUAxxHICU230X5 (Ceiling Cassette)	
DUB12HIFU230X5A (Floor Console)	
OPTIONAL ACCESSORIES ⁵	
	<input type="checkbox"/>
	<input type="checkbox"/>
	<input type="checkbox"/>
	<input type="checkbox"/>
	<input type="checkbox"/>

OUTDOOR UNIT DRAWING



Drawing dimensions are nominal. 4. It is not recommended to exceed 125% connected capacity. Maximum output of the system is dictated by the outdoor unit; connected capacities beyond maximum output of outdoor unit will not result in increased system output. Refer to full product literature for allowable combinations of units. 5. Connection of these accessories may require secondary items not listed; refer to full product literature. | Specifications subject to change without notice.

OUTDOOR UNIT CLEARANCES



Note: Outdoor units must be elevated 12-24in. (30.5-61cm) above the surface below in heating applications to allow for snow clearance and defrost runoff. Follow local best-practices and guidelines.

Diagrams for reference only.

NOTES