

SUBMITTAL - 48,000BTU MULTI-ZONE ODU - E23

Job Name: _____

Location: _____

Engineer: _____

Submitted By: _____

Submitted To: _____

Submitted For: _____ **Approval**

Reference **Construction**

Date: _____

Unit Tag: _____

Drawing No.: _____

WARRANTY			
1 Year Parts & 5 Years Compressor			
Terms & Conditions Apply.			
TYPE			
Air Source Heat Pump	<input type="checkbox"/>		
Cold Climate Air Source Heat Pump	<input checked="" type="checkbox"/>		
MODEL			
Outdoor	DEA48HOM23230X2		
CAPACITY RANGE ¹			
Output (Btu/h)	Min.	Rated	Max.
Cooling	12000	48000	50000
Heating	13000	48000	52000
HEATING PERFORMANCE ²			
Output (Btu/h)	Min.	Rated	Max.
47°F (8.3°C)	13000	48000	52000
17°F (-8.3°C)	12000	34000	37000
5°F (-15°C)	10000	34000	34000
-13°F (-25°C)		22000	22000
OUTDOOR TEMPERATURE OPERATING RANGE			
Cooling	-15~50 °C	5~122 °F	
Heating ³	-25~24 °C	-13~75 °F	
ELECTRICAL			
Power Supply	(V/Ph/Hz)	208-230/1/60	
Voltage Range	(V)	187-253	
MCA (A)	40	Max. Fuse (ODU) (A)	60
Power Input (W)	Non-Duct	Mixed	Ducted
Cooling (Rated)	3840	4140	4440
Cooling (Max.)	4990	5270	5550
Heating (Rated)	3940	3935	3930
Heating (Max.)	5300	5425	5550
Current (A)	Non-Duct	Mixed	Ducted
Cooling (Rated)	16.8	19.15	21.5
Heating (Rated)	17.1	17.65	18.2



Images for reference only.



CERTIFIED			
Non-Duct AHRI No.:	207742481	<input checked="" type="checkbox"/>	
Mixed AHRI No.:	207742483	<input type="checkbox"/>	
Ducted AHRI No.:	207742482	<input type="checkbox"/>	



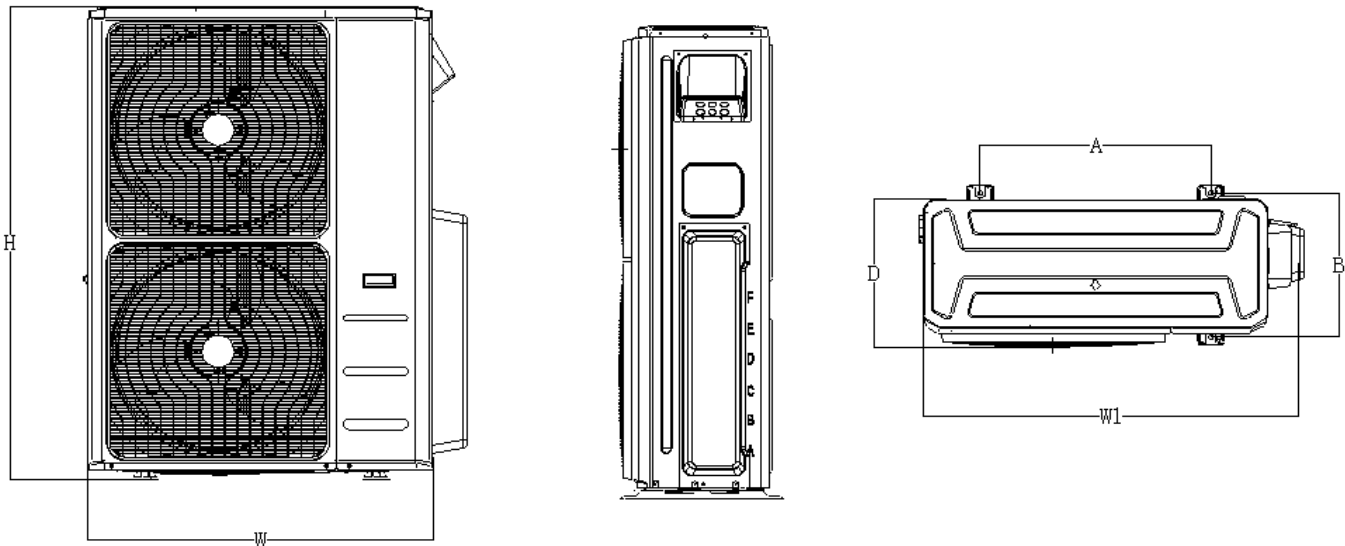
EFFICIENCY RATINGS				
IDU Type	SEER2	EER2	HSPF2 (4)	HSPF2 (5)
Non-Duct	23.4	12.5	8.7	6.8
Mixed	21.95	11.65	9.2	7
Ducted	20.5	10.8	9.7	7.2
COP ²	47°F (8.3°C)	17°F (-8.3°C)	5°F (-15°C)	-13°F (-25°C)
Non-Duct	3.57	2.4	1.8	1.4
Mixed	3.65	2.55	1.75	1.4
Ducted	3.57	2.69	1.7	1.4

LINE SET & REFRIGERANT			
Liquid (in.)	5x1/4"		Connection Type
Gas (in.)	3x3/8"+2x1/2"		Flare
Max. Length (Total) (ft)	262.4		
Max. Length (Each) (ft)	114.8		
Max. Height Difference (ODU to IDU) (ft)	49.2		
Max. Height Difference (IDU to IDU) (ft)	33		
Pre-Charge Length (ft x Quantity Example)	25x5		
Ref. Type	R410A	Pre-Charge (oz)	162.26
Oil Type	VG74	Oil Volume (ml)	1400

1. Cooling Capacity Conditions: Indoor Temperature @ 80°F (26.7°C) DB; 67°F (19.4°C) WB with Outdoor Temperature @ 95°F (35°C) DB; 75°F (23.9°C) WB. Heating Capacity Conditions: Indoor Temperature @ 70°F (21.1°C) DB; 60°F (15.6°C) WB with Outdoor Temperature @ 47°F (8.3°C) DB; 43°F (6.1°C) WB. Line Set @ 25ft (7.5m); Height Difference @ 0ft (0m). 2. COP for all temperatures is @ rated output except when rated output is not given. In that case, COP is @ max. output. Heating performance varies subject to specific indoor unit combination. 3. System continues to operate below rated outdoor temperature operating range, subject to varying conditions. System has no low temperature cutout. Capacity is not tested outside of the rated temperature range. | Master Group is not responsible for the accuracy and validity of any changes made to this document without the written authorization of Master Group. Specifications subject to change without notice.

DIMENSIONS & WEIGHTS			
Outdoor	Net (WxDxH; in.)	37.48x16.34x52.48	
	Gross (WxDxH; in.)	43.11x19.49x58.27	
	Net Weight lbs kg	225.53	102.3
	Gross Weight lbs kg	256.62	116.4
KEY FEATURES			
Rotary Inverter Compressor		<input checked="" type="checkbox"/>	
Twin Rotary Inverter Compressor		<input type="checkbox"/>	
Base Pan Heater		<input checked="" type="checkbox"/>	
Crankcase Heater		<input checked="" type="checkbox"/>	
INCLUDED ACCESSORIES			
3/8" to 1/2" Adaptor			
1/2" to 3/8" Adaptor			
1/4" to 3/8" Adaptor			
1/2" to 5/8" Adaptor			
OUTDOOR UNIT DRAWING			

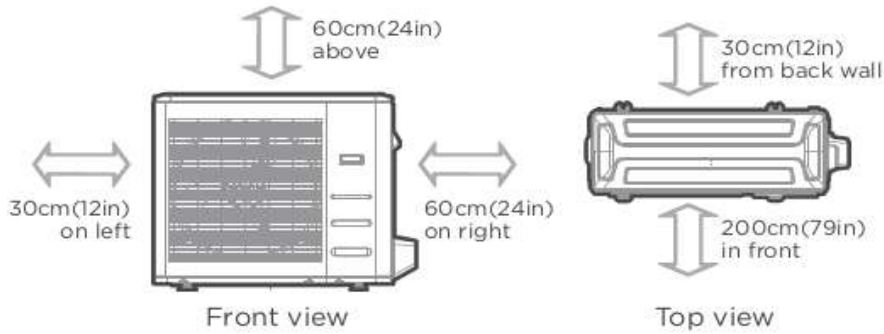
FAN	
Outdoor Max. CFM	4500
Outdoor Max. dB(A)	64
SYSTEM PAIRINGS	
Number of Indoor Units	2-5
Nominal Connection Range (Mbtu/h) ⁴	32-64
Indoor Unit Types	
DEAxxHIW25230E8 (Wall-Mount)	
DUAxxHIDU230X5 (Horizontal Ducted)	
DUAxxHICU230X5 (Ceiling Cassette)	
DUB12HIFU230X5A (Floor Console)	
OPTIONAL ACCESSORIES ⁵	
	<input type="checkbox"/>
	<input type="checkbox"/>
	<input type="checkbox"/>
	<input type="checkbox"/>
	<input type="checkbox"/>



Tag	W	D	H	W1	A	B			
inches	37.5	16.3	52.5	41.7	25	15.9			
mm	952	415	1333	1060	634	404			

Drawing dimensions are nominal. 4. It is not recommended to exceed 125% connected capacity. Maximum output of the system is dictated by the outdoor unit; connected capacities beyond maximum output of outdoor unit will not result in increased system output. Refer to full product literature for allowable combinations of units. 5. Connection of these accessories may require secondary items not listed; refer to full product literature. | Specifications subject to change without notice.

OUTDOOR UNIT CLEARANCES



Note: Outdoor units must be elevated 12-24in. (30.5-61cm) above the surface below in heating applications to allow for snow clearance and defrost runoff. Follow local best-practices and guidelines.

Diagrams for reference only.

NOTES