

SUBMITTAL - 48,000BTU MULTI-ZONE ODU - E25

Job Name: _____
Location: _____
Engineer: _____
Submitted By: _____
Submitted To: _____

Submitted For: **Approval**
Reference **Construction**
Date: _____
Unit Tag: _____
Drawing No.: _____

WARRANTY			
1 Year Parts & 5 Years Compressor			
Terms & Conditions Apply.			
TYPE			
Air Source Heat Pump	<input type="checkbox"/>		
Cold Climate Air Source Heat Pump	<input checked="" type="checkbox"/>		
MODEL			
Outdoor	DEA48HOM25230X3		

CAPACITY RANGE ¹			
Output (Btu/h)	Min.	Rated	Max.
Cooling	12000	47000	48500
Heating	13000	49000	58000

HEATING PERFORMANCE ²			
Output (Btu/h)	Min.	Rated	Max.
47°F (8.3°C)	13000	49000	58000
17°F (-8.3°C)	12000	36000	45000
5°F (-15°C)	10000	42500	46000
-13°F (-25°C)		23600	23600

OUTDOOR TEMPERATURE OPERATING RANGE			
Cooling	-15~50 °C	5~122 °F	
Heating ³	-30~24 °C	-22~75 °F	

ELECTRICAL			
Power Supply	(V/Ph/Hz)	208-230/1/60	
Voltage Range	(V)	187-253	
MCA (A)	40	Max. Fuse (ODU) (A)	60
Power Input (W)	Non-Duct	Mixed	Ducted
Cooling (Rated)	4190	4105	4020
Cooling (Max.)	4700	4760	4820
Heating (Rated)	3780	3840	3900
Heating (Max.)	5800	5585	5370
Current (A)	Non-Duct	Mixed	Ducted
Cooling (Rated)	18	18.1	18.2
Heating (Rated)	17.8	17.5	17.2

1. Cooling Capacity Conditions: Indoor Temperature @ 80°F (26.7°C) DB; 67°F (19.4°C) WB with Outdoor Temperature @ 95°F (35°C) DB; 75°F (23.9°C) WB. Heating Capacity Conditions: Indoor Temperature @ 70°F (21.1°C) DB; 60°F (15.6°C) WB with Outdoor Temperature @ 47°F (8.3°C) DB; 43°F (6.1°C) WB. Line Set @ 25ft (7.5m); Height Difference @ 0ft (0m). 2. COP for all temperatures is @ rated output except when rated output is not given. In that case, COP is @ max. output. Heating performance varies subject to specific indoor unit combination. 3. System continues to operate below rated outdoor temperature operating range, subject to varying conditions. System has no low temperature cutout. Capacity is not tested outside of the rated temperature range. | Master Group is not responsible for the accuracy and validity of any changes made to this document without the written authorization of Master Group. Specifications subject to change without notice.



Images for reference only.



CERTIFIED			
Non-Duct AHRI No.:	207742469	<input checked="" type="checkbox"/>	
Mixed AHRI No.:	207742471	<input checked="" type="checkbox"/>	
Ducted AHRI No.:	207742470	<input checked="" type="checkbox"/>	



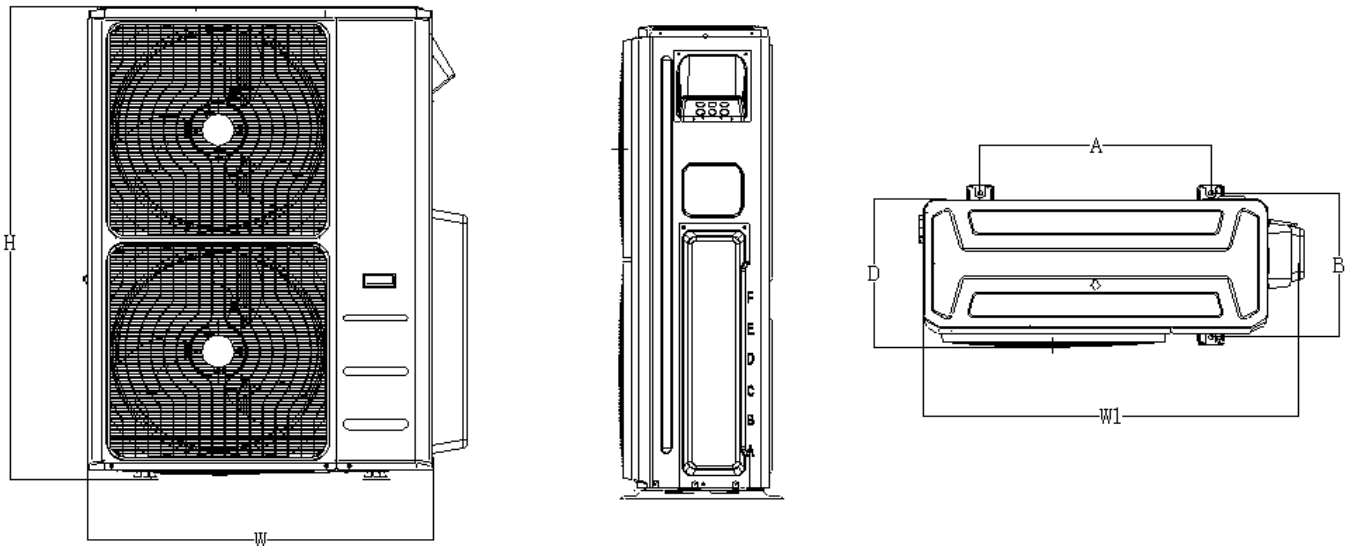
EFFICIENCY RATINGS				
IDU Type	SEER2	EER2	HSPF2 (4)	HSPF2 (5)
Non-Duct	21.8	11.7	9.8	7.6
Mixed	21.35	11.7	9.35	7.5
Ducted	20.9	11.7	8.9	7.4
COP ²	47°F (8.3°C)	17°F (-8.3°C)	5°F (-15°C)	-13°F (-25°C)
Non-Duct	3.8	2.3	2	1.5
Mixed	3.74	2.3	2	1.48
Ducted	3.68	2.3	2	1.45

LINE SET & REFRIGERANT			
Liquid (in.)	5x1/4"		Connection Type
Gas (in.)	3x3/8"+2x1/2"		Flare
Max. Length (Total) (ft)	262.4		
Max. Length (Each) (ft)	114.8		
Max. Height Difference (ODU to IDU) (ft)	49.2		
Max. Height Difference (IDU to IDU) (ft)	33		
Pre-Charge Length (ft x Quantity Example)	25x5		
Ref. Type	R410A	Pre-Charge (oz)	162
Oil Type	VG74	Oil Volume (ml)	1460±15

DIMENSIONS & WEIGHTS			
Outdoor	Net (WxDxH; in.)	37.48x16.34x52.48	
	Gross (WxDxH; in.)	43.11x19.49x58.27	
	Net Weight lbs kg	238.32	108.1
	Gross Weight lbs kg	269.84	122.4
KEY FEATURES			
Rotary Inverter Compressor		<input checked="" type="checkbox"/>	
Twin Rotary Inverter Compressor		<input type="checkbox"/>	
Base Pan Heater		<input checked="" type="checkbox"/>	
Crankcase Heater		<input checked="" type="checkbox"/>	
INCLUDED ACCESSORIES			
3/8" to 1/2" Adaptor			
1/2" to 3/8" Adaptor			
1/4" to 3/8" Adaptor			
1/2" to 5/8" Adaptor			

FAN	
Outdoor Max. CFM	4500
Outdoor Max. dB(A)	64
SYSTEM PAIRINGS	
Number of Indoor Units	2-5
Nominal Connection Range (Mbtu/h) ⁴	32-64
Indoor Unit Types	
DEAxxHIW25230E8 (Wall-Mount)	
DUAxxHIDU230X5 (Horizontal Ducted)	
DUAxxHICU230X5 (Ceiling Cassette)	
DUB12HIFU230X5A (Floor Console)	
OPTIONAL ACCESSORIES ⁵	
	<input type="checkbox"/>
	<input type="checkbox"/>
	<input type="checkbox"/>
	<input type="checkbox"/>
	<input type="checkbox"/>

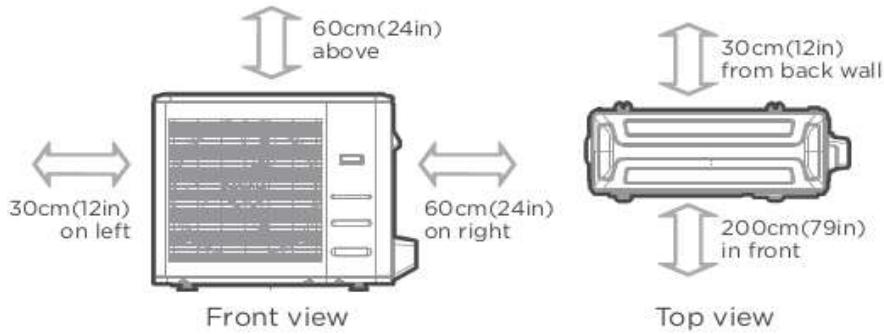
OUTDOOR UNIT DRAWING



Tag	W	D	H	W1	A	B			
inches	37.5	16.3	52.5	41.7	25	15.9			
mm	952	415	1333	1060	634	404			

Drawing dimensions are nominal. 4. It is not recommended to exceed 125% connected capacity. Maximum output of the system is dictated by the outdoor unit; connected capacities beyond maximum output of outdoor unit will not result in increased system output. Refer to full product literature for allowable combinations of units. 5. Connection of these accessories may require secondary items not listed; refer to full product literature. | Specifications subject to change without notice.

OUTDOOR UNIT CLEARANCES



Note: Outdoor units must be elevated 12-24in. (30.5-61cm) above the surface below in heating applications to allow for snow clearance and defrost runoff. Follow local best-practices and guidelines.

Diagrams for reference only.

NOTES