

SUBMITTAL - 9,000BTU CEILING CASSETTE - E25

Job Name: _____
Location: _____
Engineer: _____
Submitted By: _____
Submitted To: _____

Submitted For: _____
Reference **Approval**
Date: _____
Unit Tag: _____
Drawing No.: _____

WARRANTY

1 Year Parts & 5 Years Compressor

Terms & Conditions Apply.

TYPE

Air Source Heat Pump

Cold Climate Air Source Heat Pump

MODELS

Indoor DUA09HICU230X5

Outdoor DEA09HOS25230E8

CAPACITY RANGE¹

Output (Btu/h)	Min.	Rated	Max.
Cooling	2600	9000	10500
Heating	3000	10000	11600

HEATING PERFORMANCE²

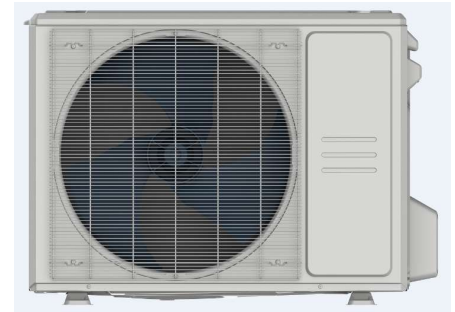
Output (Btu/h)	Min.	Rated	Max.
47°F (8.3°C)	3000	10000	11600
17°F (-8.3°C)	1900	7500	9400
5°F (-15°C)	1400	7400	8000
-13°F (-25°C)	600	4000	4000

OUTDOOR TEMPERATURE OPERATING RANGE

Cooling	-25 ~ 50 °C	-13 ~ 122 °F
Heating ³	-25 ~ 24 °C	-13 ~ 75 °F

LINE SET & REFRIGERANT

Liquid (in.)	1/4"	Gas (in.)	3/8"
Connection Type	Flared		
Pre-Charge Length (ft)	25		
Max. Length (ft)	82		
Max. Height Difference (ft)	32.8		
Refrigerant Type	R410A		
Pre-Charge (oz)	38.1		
Additional Charge per Foot (oz)	0.16		
Oil Type	VG74	Oil Volume (ml)	310
Drain Pipe O.D. (mm)	25		



Images for reference only.

CERTIFIED

AHRI NO.
207742433



EFFICIENCY RATINGS

SEER2	20			
EER2	13			
HSPF2 (4)	10			
HSPF2 (5)	8.2			
COP ²	47°F (8.3°C)	17°F (-8.3°C)	5°F (-15°C)	-13°F (-25°C)
	3.08	2.44	1.9	1.2

ELECTRICAL

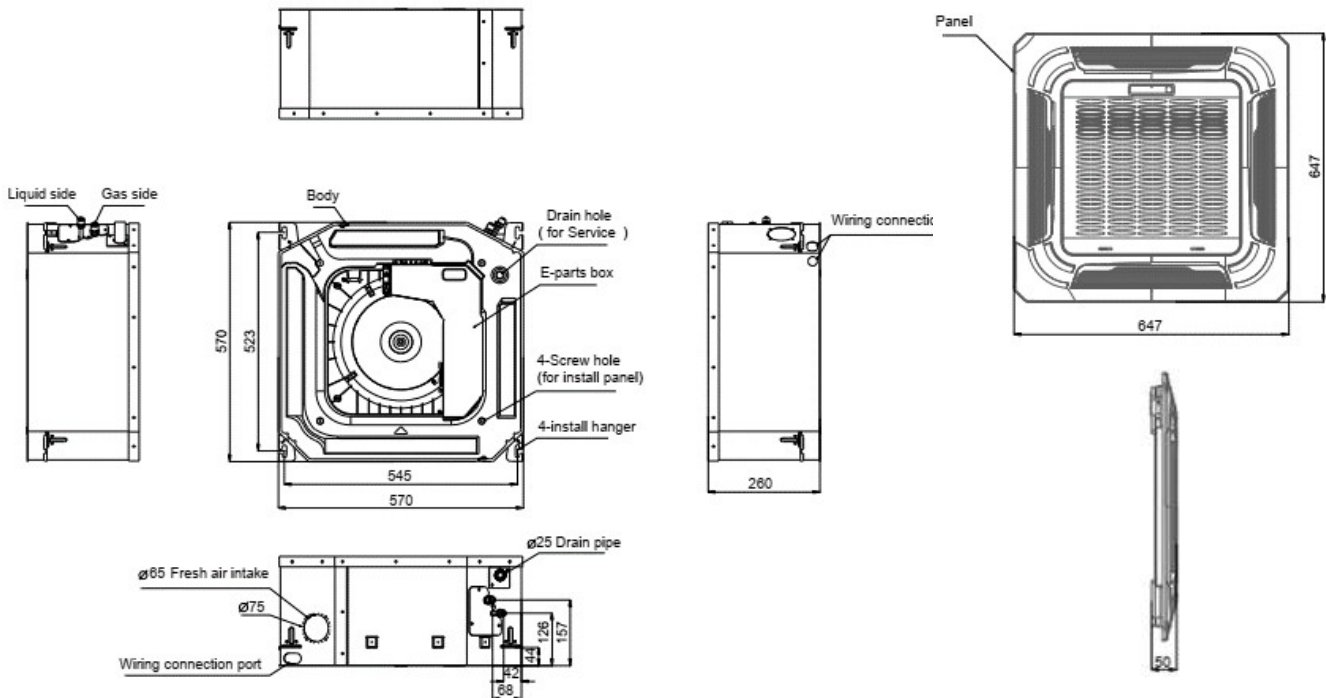
Power Supply	(V/Ph/Hz)	208-230/1/60		
Voltage Range	(V)	187-253		
MCA (A)	13	Max Fuse (ODU) (A)	15	
Power Input (W)	Min.	Rated	Max.	
	Cooling	182	692	968
Heating	154	952	1134	
Current (A)	Min.	Rated	Max.	
	Cooling	1.59	3.17	4.31
Heating	1.36	4.16	5.03	

1. Cooling Capacity Conditions: Indoor Temperature @ 80°F (26.7°C) DB; 67°F (19.4°C) WB with Outdoor Temperature @ 95°F (35°C) DB; 75°F (23.9°C) WB. Heating Capacity Conditions: Indoor Temperature @ 70°F (21.1°C) DB; 60°F (15.6°C) WB with Outdoor Temperature @ 47°F (8.3°C) DB; 43°F (6.1°C) WB. Line Set @ 25ft (7.5m); Height Difference @ 0ft (0m). 2. COP for all temperatures is @ rated output except when rated output is not given. In that case, COP is @ max. output. 3. System continues to operate below rated outdoor temperature operating range, subject to varying conditions. System has no low temperature cutout. Capacity is not tested outside of the rated temperature range. | Master Group is not responsible for the accuracy and validity of any changes made to this document without the written authorization of Master Group. Specifications subject to change without notice.

DIMENSIONS & WEIGHTS		
Indoor	Net (WxDxH; in.)	22.44x22.44x10.24
	Gross (WxDxH; in.)	26.06x26.06x12.48
	Net Weight lbs kg	31.97 14.5
	Gross Weight lbs kg	38.14 17.3
Outdoor	Net (WxDxH; in.)	30.12x11.93x21.85
	Gross (WxDxH; in.)	34.92x13.27x24.02
	Net Weight lbs kg	63.71 28.9
	Gross Weight lbs kg	69 31.3
KEY FEATURES		
Rotary Inverter Compressor		<input checked="" type="checkbox"/>
Twin Rotary Inverter Compressor		<input type="checkbox"/>
Base Pan Heater		<input checked="" type="checkbox"/>
Crankcase Heater		<input checked="" type="checkbox"/>
INCLUDED ACCESSORIES		
RG10B(D1)/BGEFU1 - Remote Controller		

FAN				
Indoor	Turbo	High	Med.	Low
CFM		353	305	270
dB(A)		37.5	34.5	31.5
Indoor ESP Range inWG				
Indoor Moisture Removal (l/h)				1
Outdoor Max. CFM				1294
Outdoor Max. dB(A)				53
OPTIONAL ACCESSORIES ⁴				
CASSETTEGRILL918A - Required				<input type="checkbox"/>
WF-60A1-F - Smart Port				<input type="checkbox"/>
KJR-120L(R1)/EFU1 - Wired Controller				<input type="checkbox"/>
KJR-120N(X6)/BGEF - Wired Controller				<input type="checkbox"/>
KJR-120N(X6W)/BGEF - Wired Controller				<input type="checkbox"/>
24VINTERFACEKITUNIVERSAL				<input type="checkbox"/>
				<input type="checkbox"/>
				<input type="checkbox"/>
				<input type="checkbox"/>
				<input type="checkbox"/>
				<input type="checkbox"/>

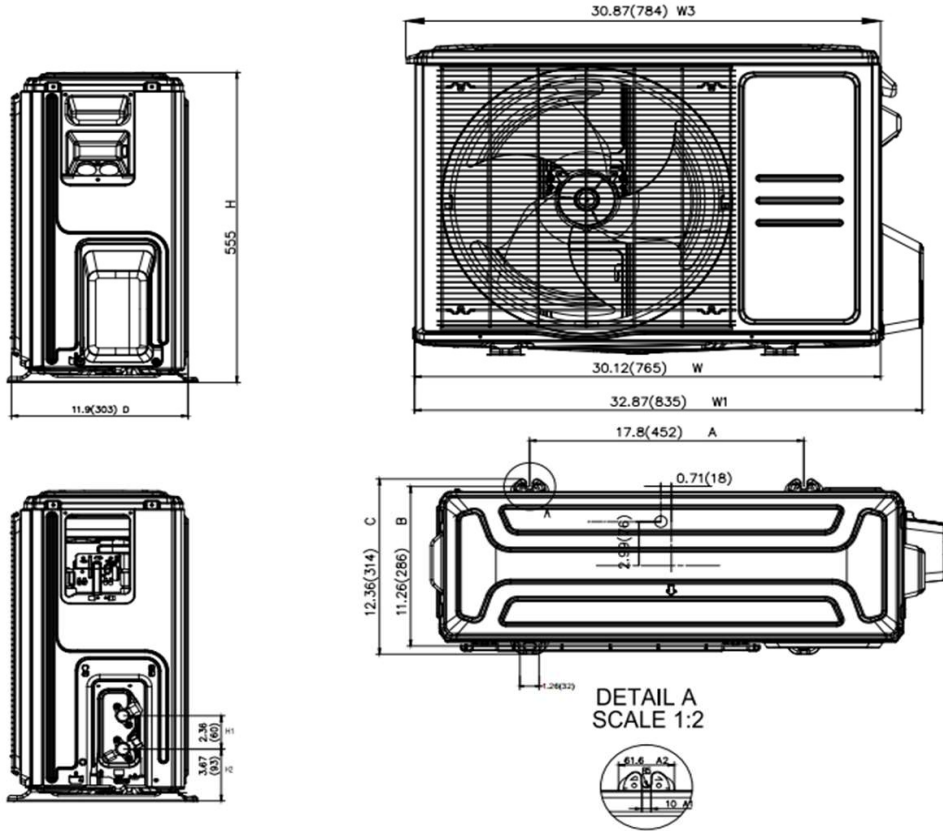
INDOOR UNIT DRAWING



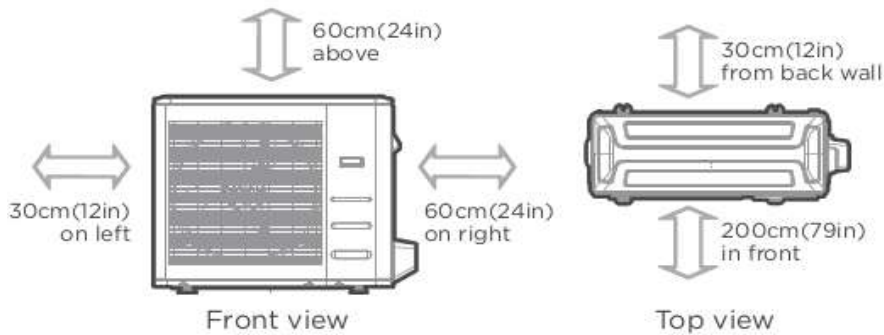
Tag									
inches									
mm									

Drawing dimensions are nominal. Specifications subject to change without notice. 4. Connection of these accessories may require secondary items not listed; refer to full product literature.

OUTDOOR UNIT DRAWING



OUTDOOR UNIT CLEARANCES



Note: Outdoor units must be elevated 12-24in. (30.5-61cm) above the surface below in heating applications to allow for snow clearance and defrost runoff. Follow local best-practices and guidelines.

Diagrams for reference only.

NOTES