

## SUBMITTAL - 9,000BTU DUCTED - E25

**Job Name:** \_\_\_\_\_  
**Location:** \_\_\_\_\_  
**Engineer:** \_\_\_\_\_  
**Submitted By:** \_\_\_\_\_  
**Submitted To:** \_\_\_\_\_

**Submitted For:** \_\_\_\_\_  
**Reference**  **Approval**   
**Date:** \_\_\_\_\_  
**Unit Tag:** \_\_\_\_\_  
**Drawing No.:** \_\_\_\_\_

### WARRANTY

1 Year Parts & 5 Years Compressor

Terms & Conditions Apply.

### TYPE

Air Source Heat Pump

Cold Climate Air Source Heat Pump

### MODELS

Indoor DUA09HIDU230X5

Outdoor DEA09HOS25230E8

### CAPACITY RANGE<sup>1</sup>

Output (Btu/h)	Min.	Rated	Max.
Cooling	2300	9000	11600
Heating	2300	10000	13300

### HEATING PERFORMANCE<sup>2</sup>

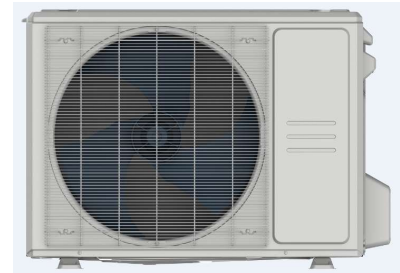
Output (Btu/h)	Min.	Rated	Max.
47°F (8.3°C)	2300	10000	13300
17°F (-8.3°C)	1700	7700	10200
5°F (-15°C)	1200	8000	8000
-13°F (-25°C)	600		3900

### OUTDOOR TEMPERATURE OPERATING RANGE

Cooling	-25 ~ 50 °C	-13 ~ 122 °F
Heating <sup>3</sup>	-25 ~ 24 °C	-13 ~ 75 °F

### LINE SET & REFRIGERANT

Liquid (in.)	1/4"	Gas (in.)	3/8"
Connection Type	Flared		
Pre-Charge Length (ft)	25		
Maximum Length (ft)	82		
Maximum Height Difference (ft)	32.8		
Refrigerant Type	R410A		
Pre-Charge (oz)	38.1		
Additional Charge per Foot (oz)	0.16		
Oil Type	VG74	Oil Volume (ml)	310
Drain Pipe O.D. (mm)	25		



Images for reference only.

### CERTIFIED

AHRI NO.	
207742445	

### EFFICIENCY RATINGS

SEER2	19.2			
EER2	12.5			
HSPF2 (4)	10.2			
HSPF2 (5)	8			
COP <sup>2</sup>	47°F (8.3°C)	17°F (-8.3°C)	5°F (-15°C)	-13°F (-25°C)
	3.62	2.59	2.09	1.14

### ELECTRICAL

Power Supply	(V/Ph/Hz)	208-230/1/60		
Voltage Range	(V)	187-253		
MCA (A)	13	Max Fuse (ODU) (A)	15	
Power Input (W)	Min.	Rated	Max.	
	Cooling	195	720	1002
Heating	178	810	1163	
Current (A)	Min.	Rated	Max.	
	Cooling	1.76	4.8	4.47
Heating	1.64	3.7	5.17	

1. Cooling Capacity Conditions: Indoor Temperature @ 80°F (26.7°C) DB; 67°F (19.4°C) WB with Outdoor Temperature @ 95°F (35°C) DB; 75°F (23.9°C) WB. Heating Capacity Conditions: Indoor Temperature @ 70°F (21.1°C) DB; 60°F (15.6°C) WB with Outdoor Temperature @ 47°F (8.3°C) DB; 43°F (6.1°C) WB. Line Set @ 25ft (7.5m); Height Difference @ 0ft (0m). 2. COP for all temperatures is @ rated output except when rated output is not given. In that case, COP is @ max. output. 3. System continues to operate below rated outdoor temperature operating range, subject to varying conditions. System has no low temperature cutout. Capacity is not tested outside of the rated temperature range. | Master Group is not responsible for the accuracy and validity of any changes made to this document without the written authorization of Master Group. Specifications subject to change without notice.

DIMENSIONS & WEIGHTS			
Indoor	Net (WxDxH; in.)	27.56x19.92x7.87	
	Gross (WxDxH; in.)	33.86x21.26x11.22	
	Net Weight lbs   kg	39.02	17.7
	Gross Weight lbs   kg	48.28	21.9
Outdoor	Net (WxDxH; in.)	30.12x11.93x21.85	
	Gross (WxDxH; in.)	34.92x13.27x24.02	
	Net Weight lbs   kg	63.71	28.9
	Gross Weight lbs   kg	69	31.3

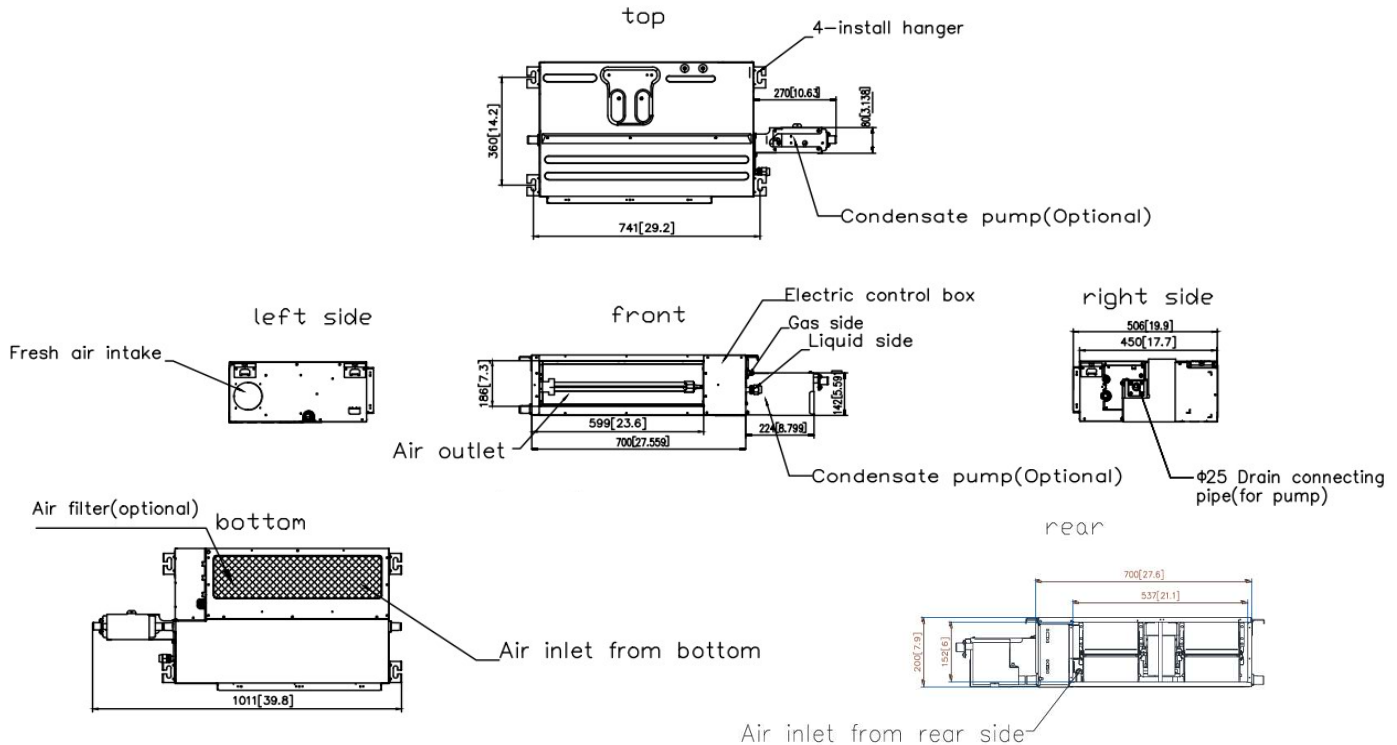
KEY FEATURES	
Rotary Inverter Compressor	<input checked="" type="checkbox"/>
Twin Rotary Inverter Compressor	<input type="checkbox"/>
Base Pan Heater	<input checked="" type="checkbox"/>
Crankcase Heater	<input checked="" type="checkbox"/>

INCLUDED ACCESSORIES	
KJR-120L(R1)/EFU1 - Wired Controller	

### INDOOR UNIT DRAWING

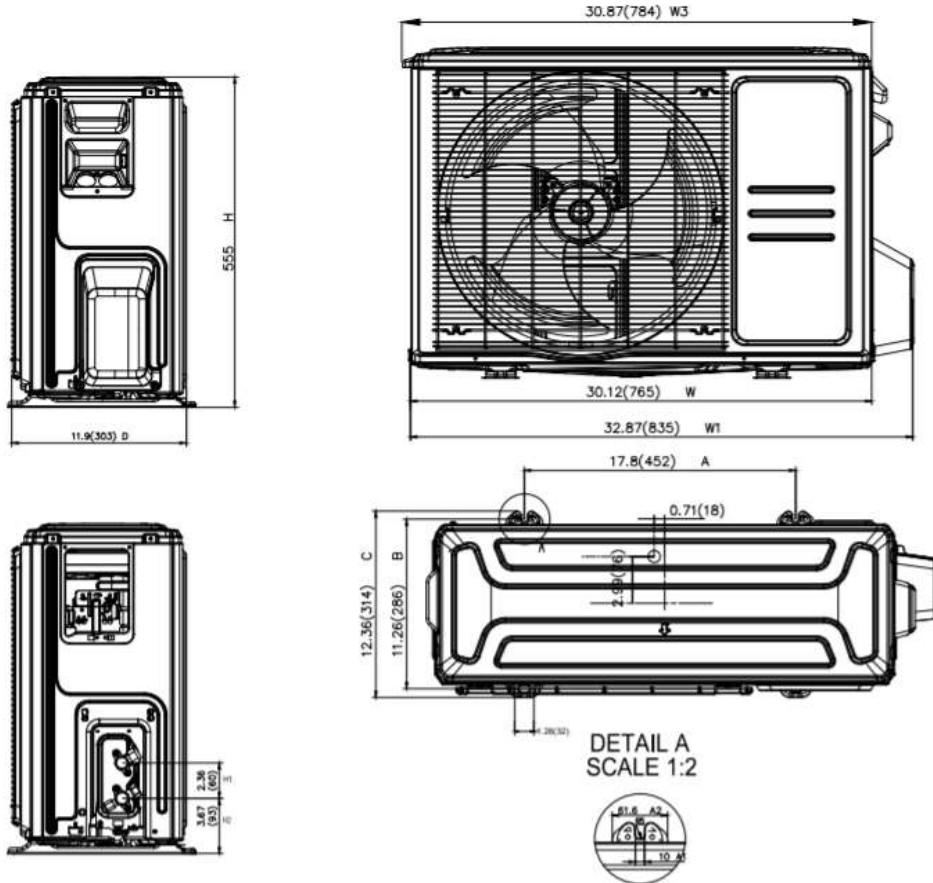
FAN				
Indoor	Turbo	High	Med.	Low
CFM		352	282	176
dB(A)		33.5	28.5	27
Indoor ESP Range inWG				0-0.32
Indoor Moisture Removal (l/h)				1.02
Outdoor Max. CFM				1294
Outdoor Max. dB(A)				55

OPTIONAL ACCESSORIES <sup>4</sup>	
WF-60A1-F - Smart Port	<input type="checkbox"/>
KJR-120N(X6)/BGEF - Wired Controller	<input type="checkbox"/>
KJR-120N(X6W)/BGEF - Wired Controller	<input type="checkbox"/>
24VINTERFACEKITUNIVERSAL	<input type="checkbox"/>
	<input type="checkbox"/>
	<input type="checkbox"/>
	<input type="checkbox"/>
	<input type="checkbox"/>
	<input type="checkbox"/>
	<input type="checkbox"/>
	<input type="checkbox"/>

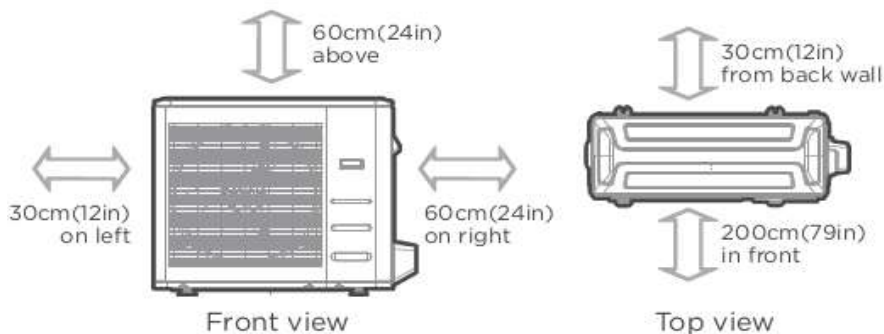


Drawing dimensions are nominal. Specifications subject to change without notice. 4. Connection of these accessories may require secondary items not listed; refer to full product literature.

**OUTDOOR UNIT DRAWING**



**OUTDOOR UNIT CLEARANCES**



Note: Outdoor units must be elevated 12-24in. (30.5-61cm) above the surface below in heating applications to allow for snow clearance and defrost runoff. Follow local best-practices and guidelines.

Diagrams for reference only.

**NOTES**