

SUBMITTAL - 18,000BTU MULTI-POSITION AHU

Job Name: _____
Location: _____
Engineer: _____
Submitted By: _____
Submitted To: _____

Submitted For: **Approval**
Reference **Construction**
Date: _____
Unit Tag: _____
Drawing No.: _____

WARRANTY

1 Year Parts & 5 Years Compressor
 Terms & Conditions Apply.

TYPE

Air Source Heat Pump
 Cold Climate Air Source Heat Pump

MODELS

Indoor	FEA18HIAHUU230X7
Outdoor	DEA18HOS20230E7

CAPACITY RANGE¹

Output (Btu/h)	Min.	Rated	Max.
Cooling	6880	18000	21000
Heating	6800	19000	21000

HEATING PERFORMANCE²

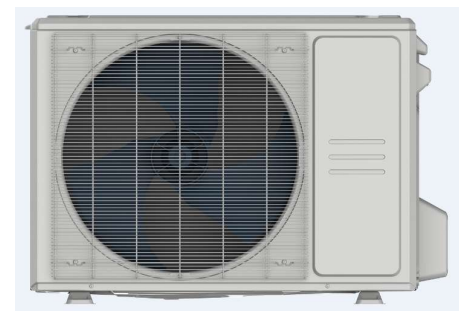
Output (Btu/h)	Min.	Rated	Max.
47°F (8.3°C)	6800	19000	21000
17°F (-8.3°C)	7133	13500	21000
5°F (-15°C)	5400	16500	18629
-22°F (-30°C)	5200	10500	10500

OUTDOOR TEMPERATURE OPERATING RANGE

Cooling	-15 ~ 50 °C	5 ~ 122 °F
Heating	-30 ~ 24 °C	-22 ~ 75 °F

LINE SET & REFRIGERANT

Liquid (in.)	3/8"	Gas (in.)	3/4"
Connection Type	Flared		
Pre-Charge Length (ft)	25		
Maximum Length (ft)	98.42		
Maximum Height Difference (ft)	65.6		
Refrigerant Type	R410A		
Pre-Charge (oz)	81.13		
Additional Charge per Foot (oz)	0.69		
Oil Type	VG74	Oil Volume (ml)	670
Drain Connection (inches)	3/4"		



Images for reference only.

CERTIFIED

AHRI NO.	
213081441	

EFFICIENCY RATINGS

SEER2	18			
EER2	12.4			
HSPF2 (4)	9.3			
HSPF2 (5)	7.6			
COP ²	47°F (8.3°C)	17°F (-8.3°C)	5°F (-15°C)	-22°F (-30°C)
	3.64	2.6	2.04	1.53

ELECTRICAL

Power Supply	(V/Ph/Hz)	208-230/1/60		
Voltage Range	(V)	187-253		
MCA (A)	16	Max Fuse (ODU) (A)	20	
Power Input (W)	Min.	Rated	Max.	
	Cooling	260	1450	1890
Heating	430	1530	1920	
Current (A)	Min.	Rated	Max.	
	Cooling	1.5	6.4	8.3
Heating	2.5	6.8	8.5	

1. Cooling Capacity Conditions: Indoor Temperature @ 80°F (26.7°C) DB; 67°F (19.4°C) WB with Outdoor Temperature @ 95°F (35°C) DB; 75°F (23.9°C) WB. Heating Capacity Conditions: Indoor Temperature @ 70°F (21.1°C) DB; 60°F (15.6°C) WB with Outdoor Temperature @ 47°F (8.3°C) DB; 43°F (6.1°C) WB. Line Set @ 25ft (7.5m); Height Difference @ 0ft (0m). 2. COP for all temperatures is @ rated output except when rated output is not given. In that case, COP is @ max. output. | Master Group is not responsible for the accuracy and validity of any changes made to this document without the written authorization of Master Group. Specifications subject to change without notice.

DIMENSIONS & WEIGHTS		
Indoor	Net (WxDxH; in.)	17.52x21.02x45.00
	Gross (WxDxH; in.)	20.87x26.57x48.62
	Net Weight lbs kg	105.82 48
	Gross Weight lbs kg	129.41 58.7
Outdoor	Net (WxDxH; in.)	35.04x13.46x26.50
	Gross (WxDxH; in.)	39.17x15.67x29.13
	Net Weight lbs kg	103 46.7
	Gross Weight lbs kg	110 49.8

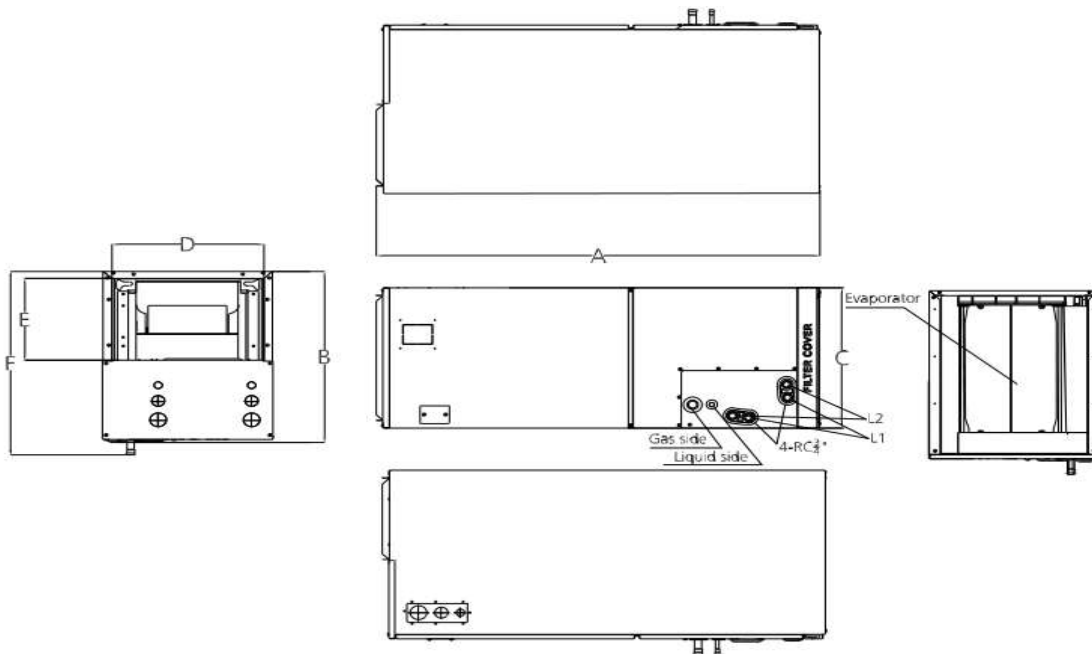
KEY FEATURES	
Rotary Inverter Compressor	<input type="checkbox"/>
Twin Rotary Inverter Compressor	<input checked="" type="checkbox"/>
Base Pan Heater	<input checked="" type="checkbox"/>
Crankcase Heater	<input checked="" type="checkbox"/>

INCLUDED ACCESSORIES	
RG10A(D2S)/BGEFU1 - Remote Controller	
KJR-120N(X6W)/BGEF V1.2 - Wired Controller	
Adaptor for welding(3/8")	
Adaptor for welding(3/4")	
Flare 5/8 to welding 3/4	

INDOOR UNIT DRAWING

FAN				
Indoor	Turbo	High	Med.	Low
CFM	617	576	529	488
dB(A)		34	31	30
Indoor ESP Range inWG				0-0.80
Indoor Moisture Removal (l/h)				1.67
Outdoor Max. CFM				1279
Outdoor Max. dB(A)				57

OPTIONAL ACCESSORIES	
EAH-05B(UL) - 5kW Electric Heater Kit	<input type="checkbox"/>
EAH-10B(UL) - 10kW Electric Heater Kit	<input type="checkbox"/>
	<input type="checkbox"/>
	<input type="checkbox"/>
	<input type="checkbox"/>
	<input type="checkbox"/>
	<input type="checkbox"/>
	<input type="checkbox"/>
	<input type="checkbox"/>

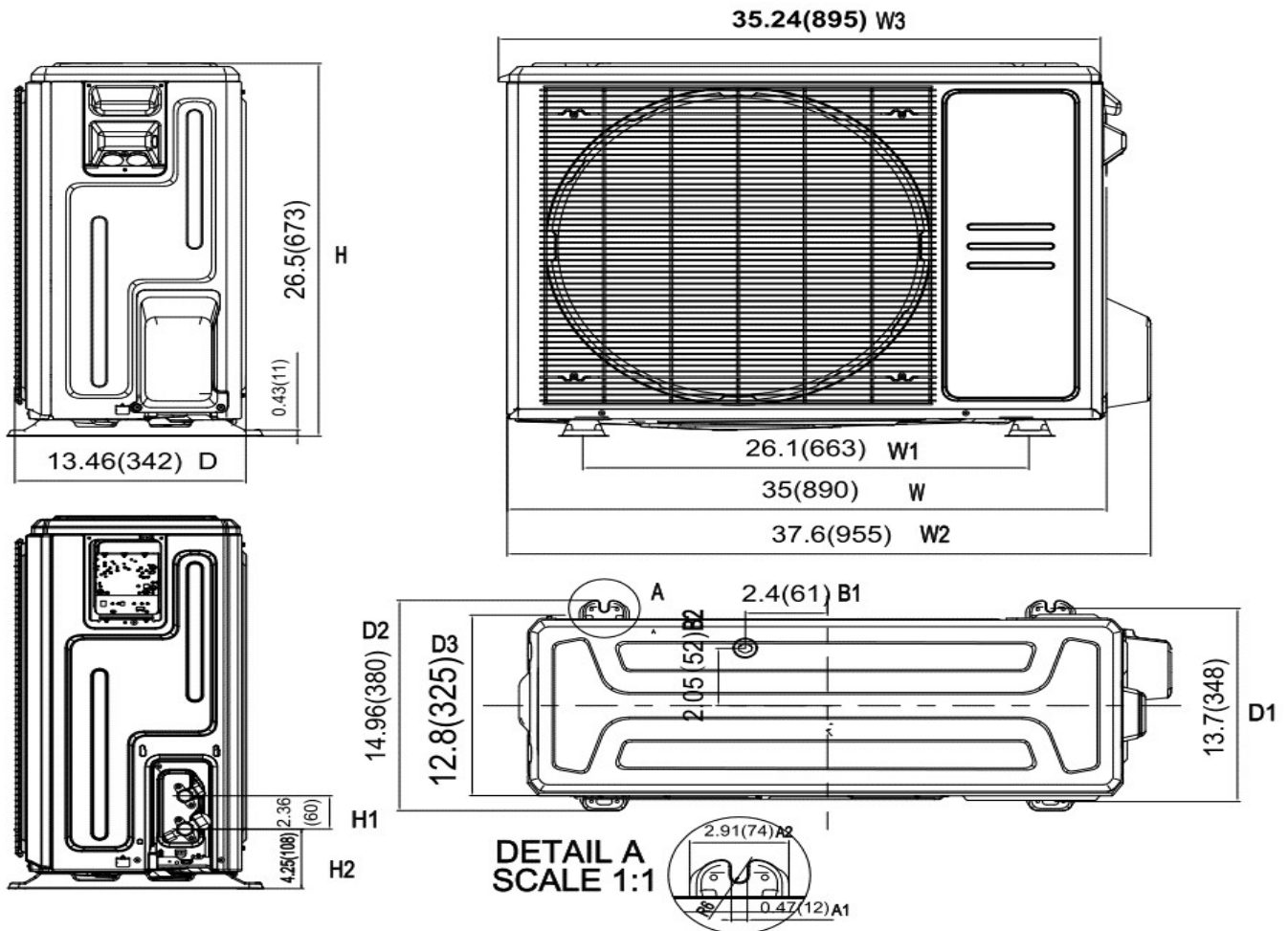


Dimensions D and E are air outlet dimensions.

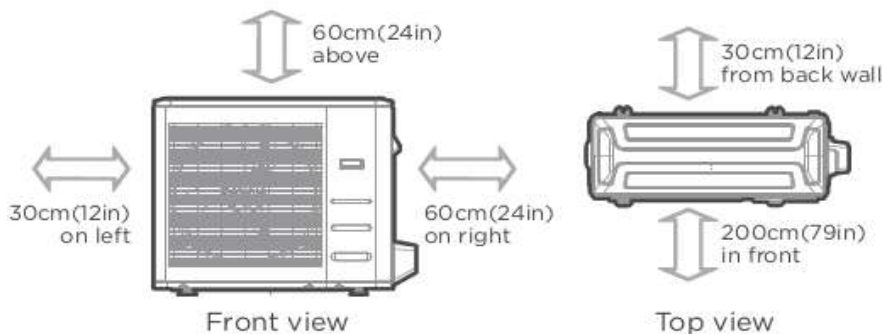
Tag	A	B	C	D	E	F		L1	L2
inches	45	21	17-1/2	15-3/4	10-1/4	23		Main Drain	Overflow Drain
mm	1143	534	445	400	260	585		Drain	Drain

Drawing dimensions are nominal. Specifications subject to change without notice.

OUTDOOR UNIT DRAWING



OUTDOOR UNIT CLEARANCES



Note: Outdoor units must be elevated 12-24in. (30.5-61cm) above the surface below in heating applications to allow for snow clearance and defrost runoff. Follow local best-practices and guidelines.

Diagrams for reference only.

NOTES