

SUBMITTAL - 18,000BTU WALL-MOUNT - E25

Job Name: _____
Location: _____
Engineer: _____
Submitted By: _____
Submitted To: _____

Submitted For: _____ **Approval**
Reference **Construction**
Date: _____
Unit Tag: _____
Drawing No.: _____

WARRANTY

1 Year Parts & 5 Years Compressor
Terms & Conditions Apply.

TYPE

Air Source Heat Pump
 Cold Climate Air Source Heat Pump

MODELS

Indoor DEA18HIW25230E8
 Outdoor DEA18HOS25230E8

CAPACITY RANGE¹

| Output (Btu/h) | Min. | Rated | Max. |
|----------------|------|-------|-------|
| Cooling | 2115 | 18000 | 19663 |
| Heating | 6356 | 19000 | 21191 |

HEATING PERFORMANCE²

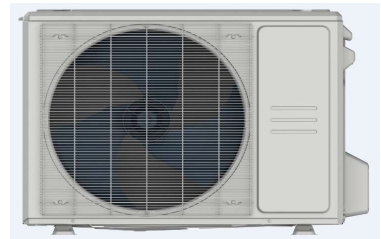
| Output (Btu/h) | Min. | Rated | Max. |
|----------------|------|-------|-------|
| 47°F (8.3°C) | 6356 | 19000 | 21191 |
| 17°F (-8.3°C) | 3722 | 14900 | 15934 |
| 5°F (-15°C) | 2524 | 11300 | 12388 |
| -13°F (-25°C) | | 7200 | 7200 |

OUTDOOR TEMPERATURE OPERATING RANGE

| | | |
|----------------------|-------------|--------------|
| Cooling | -25 ~ 50 °C | -13 ~ 122 °F |
| Heating ³ | -25 ~ 24 °C | -13 ~ 75 °F |

LINE SET & REFRIGERANT

| | | | |
|---------------------------------|--------|-----------------|------|
| Liquid (in.) | 1/4" | Gas (in.) | 1/2" |
| Connection Type | Flared | | |
| Pre-Charge Length (ft) | 25 | | |
| Max. Length (ft) | 98.4 | | |
| Max. Height Difference (ft) | 65.6 | | |
| Refrigerant Type | R410A | | |
| Pre-Charge (oz) | 56.44 | | |
| Additional Charge per Foot (oz) | 0.16 | | |
| Oil Type | VG74 | Oil Volume (ml) | 440 |
| Drain Pipe O.D. (mm) | 19 | | |



Images for reference only.

CERTIFIED

| | |
|-----------|--|
| AHRI NO. | |
| 207742426 | |

EFFICIENCY RATINGS

| | | | | |
|------------------|--------------|---------------|-------------|---------------|
| SEER2 | 23.5 | | | |
| EER2 | 12.5 | | | |
| HSPF2 (4) | 10.8 | | | |
| HSPF2 (5) | 7.8 | | | |
| COP ² | 47°F (8.3°C) | 17°F (-8.3°C) | 5°F (-15°C) | -13°F (-25°C) |
| | 3.37 | 2.48 | 2.02 | 1.56 |

ELECTRICAL

| | | | | |
|-----------------|-----------|--------------------|------|------|
| Power Supply | (V/Ph/Hz) | 208-230/1/60 | | |
| Voltage Range | (V) | 187-253 | | |
| MCA (A) | 19 | Max Fuse (ODU) (A) | 30 | |
| Power Input (W) | Min. | Rated | Max. | |
| | Cooling | 465 | 1440 | 1720 |
| Heating | 460 | 1650 | 1920 | |
| Current (A) | Min. | Rated | Max. | |
| | Cooling | 2 | 6.45 | 7.5 |
| Heating | 2 | 7.4 | 8.4 | |

1. Cooling Capacity Conditions: Indoor Temperature @ 80°F (26.7°C) DB; 67°F (19.4°C) WB with Outdoor Temperature @ 95°F (35°C) DB; 75°F (23.9°C) WB. Heating Capacity Conditions: Indoor Temperature @ 70°F (21.1°C) DB; 60°F (15.6°C) WB with Outdoor Temperature @ 47°F (8.3°C) DB; 43°F (6.1°C) WB. Line Set @ 25ft (7.5m); Height Difference @ 0ft (0m). 2. COP for all temperatures is @ rated output except when rated output is not given. In that case, COP is @ max. output. 3. System continues to operate below rated outdoor temperature operating range, subject to varying conditions. System has no low temperature cutout. Capacity is not tested outside of the rated temperature range. | Master Group is not responsible for the accuracy and validity of any changes made to this document without the written authorization of Master Group. Specifications subject to change without notice.

| DIMENSIONS & WEIGHTS | | |
|----------------------|-----------------------|-------------------|
| Indoor | Net (WxDxH; in.) | 40.28x9.65x12.56 |
| | Gross (WxDxH; in.) | 43.11x12.80x15.75 |
| | Net Weight lbs kg | 27.12 12.3 |
| | Gross Weight lbs kg | 35.71 16.2 |
| Outdoor | Net (WxDxH; in.) | 35.04x13.46x26.50 |
| | Gross (WxDxH; in.) | 39.17x15.67x29.13 |
| | Net Weight lbs kg | 94.36 42.8 |
| | Gross Weight lbs kg | 100.97 45.8 |

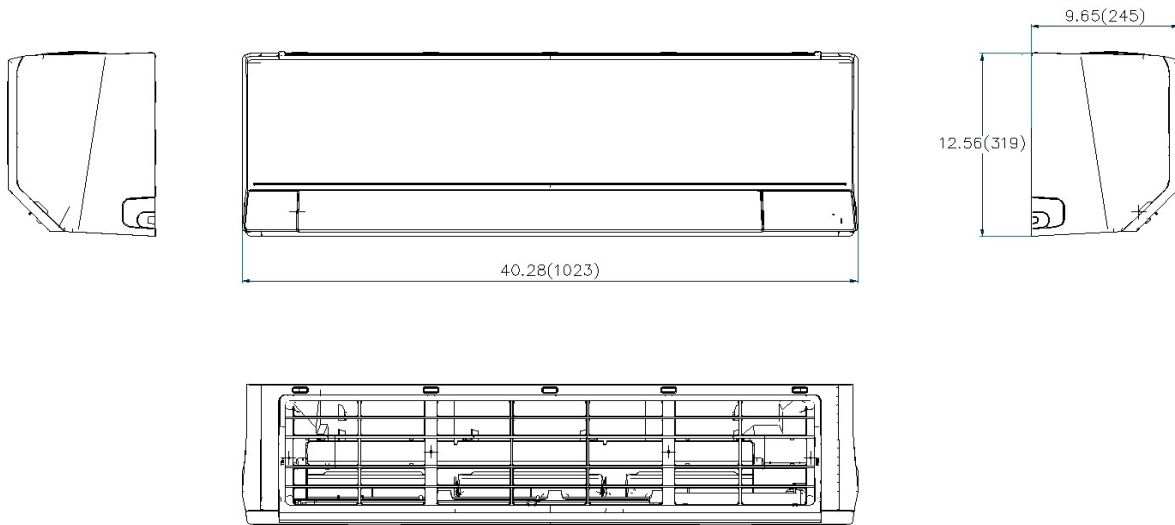
| KEY FEATURES | |
|---------------------------------|-------------------------------------|
| Rotary Inverter Compressor | <input checked="" type="checkbox"/> |
| Twin Rotary Inverter Compressor | <input type="checkbox"/> |
| Base Pan Heater | <input checked="" type="checkbox"/> |
| Crankcase Heater | <input checked="" type="checkbox"/> |

| INCLUDED ACCESSORIES | |
|---|--|
| RG10L2(D2HS)/BGEFU1 - Remote Controller | |
| | |
| | |
| | |
| | |

| FAN | | | | |
|-------------------------------|-------|------|------|------|
| Indoor | Turbo | High | Med. | Low |
| CFM | 635 | 523 | 376 | 305 |
| dB(A) | | 47 | 43 | 32.5 |
| Indoor ESP Range inWG | | | | |
| Indoor Moisture Removal (l/h) | | | | 1.94 |
| Outdoor Max. CFM | | | | 2059 |
| Outdoor Max. dB(A) | | | | 58.8 |

| OPTIONAL ACCESSORIES ⁴ | |
|---------------------------------------|--------------------------|
| 17310900003167 - Wi-Fi Dongle | <input type="checkbox"/> |
| KJR-120L(R1)/EFU1 - Wired Controller | <input type="checkbox"/> |
| KJR-120N(X6)/BGEF - Wired Controller | <input type="checkbox"/> |
| KJR-120N1(X4)/BGEF - Wired Controller | <input type="checkbox"/> |
| 24VINTERFACEKITUNIVERSAL | <input type="checkbox"/> |
| | <input type="checkbox"/> |
| | <input type="checkbox"/> |
| | <input type="checkbox"/> |
| | <input type="checkbox"/> |
| | <input type="checkbox"/> |

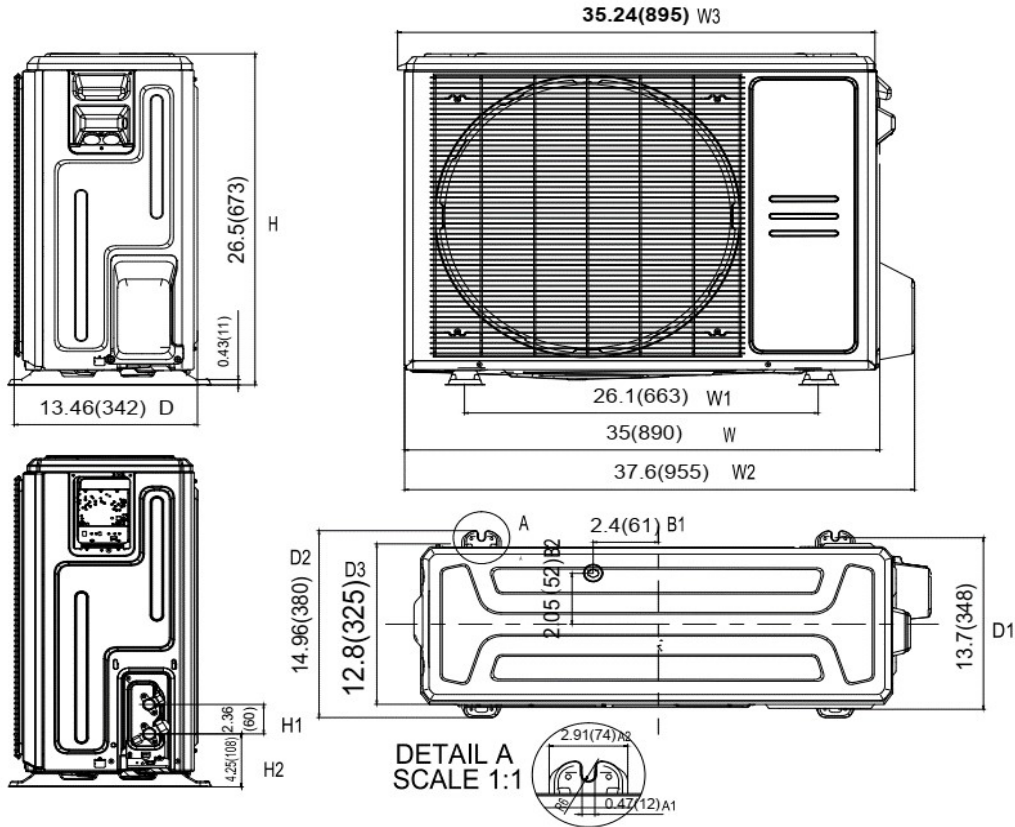
INDOOR UNIT DRAWING



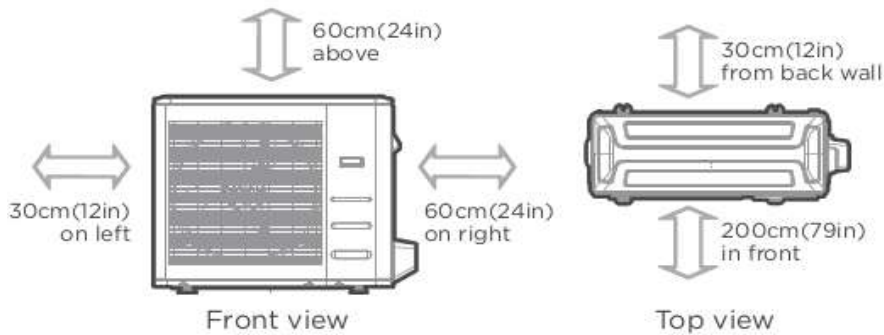
| | | | | | | | | | |
|--------|--|--|--|--|--|--|--|--|--|
| Tag | | | | | | | | | |
| inches | | | | | | | | | |
| mm | | | | | | | | | |

Drawing dimensions are nominal. Specifications subject to change without notice. 4. Connection of these accessories may require secondary items not listed; refer to full product literature.

OUTDOOR UNIT DRAWING



OUTDOOR UNIT CLEARANCES



Note: Outdoor units must be elevated 12-24in. (30.5-61cm) above the surface below in heating applications to allow for snow clearance and defrost runoff. Follow local best-practices and guidelines.

Diagrams for reference only.

NOTES