

# SUBMITTAL - 60,000BTU MULTI-POSITION AHU - E20

**Job Name:** \_\_\_\_\_  
**Location:** \_\_\_\_\_  
**Engineer:** \_\_\_\_\_  
**Submitted By:** \_\_\_\_\_  
**Submitted To:** \_\_\_\_\_

**Submitted For:** \_\_\_\_\_ **Approval**   
**Reference**  **Construction**   
**Date:** \_\_\_\_\_  
**Unit Tag:** \_\_\_\_\_  
**Drawing No.:** \_\_\_\_\_

### WARRANTY

1 Year Parts & 5 Years Compressor  
 Terms & Conditions Apply.

### TYPE

Air Source Heat Pump   
 Cold Climate Air Source Heat Pump

### MODELS

Indoor FEA60HIAHUU230X7  
 Outdoor DEA60HOS20230E7

### CAPACITY RANGE<sup>1</sup>

Output (Btu/h)	Min.	Rated	Max.
Cooling	14000	55000	56000
Heating	13400	59000	69000

### HEATING PERFORMANCE<sup>2</sup>

Output (Btu/h)	Min.	Rated	Max.
47°F (8.3°C)	13400	59000	69000
17°F (-8.3°C)	17000	42000	52500
5°F (-15°C)	15100	48500	54356
-22°F (-30°C)	14900	29900	29900

### OUTDOOR TEMPERATURE OPERATING RANGE

Cooling	-15 ~ 50 °C	5 ~ 122 °F
Heating	-30 ~ 24 °C	-22 ~ 75 °F

### LINE SET & REFRIGERANT

Liquid (in.)	3/8"	Gas (in.)	7/8"
Connection Type	Flared		
Pre-Charge Length (ft)	25		
Maximum Length (ft)	213.25		
Maximum Height Difference (ft)	98.42		
Refrigerant Type	R410A		
Pre-Charge (oz)	169.31		
Additional Charge per Foot (oz)	0.69		
Oil Type	VG75	Oil Volume (ml)	1300
Drain Connection (inches)	3/4"		



Images for reference only.

### CERTIFIED

AHRI NO.	
213081446	

### EFFICIENCY RATINGS

SEER2	15.3			
EER2	8.8			
HSPF2 (4)	9.4			
HSPF2 (5)	7.6			
COP <sup>2</sup>	47°F (8.3°C)	17°F (-8.3°C)	5°F (-15°C)	-22°F (-30°C)
	3.42	2.6	1.91	1.35

### ELECTRICAL

Power Supply	(V/Ph/Hz)	208-230/1/60		
Voltage Range	(V)	187-253		
MCA (A)	40	Max Fuse (ODU) (A)	50	
Power Input (W)	Min.	Rated	Max.	
	Cooling	500	6280	6450
Heating	750	5060	5890	
Current (A)	Min.	Rated	Max.	
	Cooling	3.9	27.4	28.5
Heating	5.5	22	26.2	

1. Cooling Capacity Conditions: Indoor Temperature @ 80°F (26.7°C) DB; 67°F (19.4°C) WB with Outdoor Temperature @ 95°F (35°C) DB; 75°F (23.9°C) WB. Heating Capacity Conditions: Indoor Temperature @ 70°F (21.1°C) DB; 60°F (15.6°C) WB with Outdoor Temperature @ 47°F (8.3°C) DB; 43°F (6.1°C) WB. Line Set @ 25ft (7.5m); Height Difference @ 0ft (0m). 2. COP for all temperatures is @ rated output except when rated output is not given. In that case, COP is @ max. output. | Master Group is not responsible for the accuracy and validity of any changes made to this document without the written authorization of Master Group. Specifications subject to change without notice.

DIMENSIONS & WEIGHTS		
Indoor	Net (WxDxH; in.)	24.49x21.02x52.99
	Gross (WxDxH; in.)	27.95x26.77x56.50
	Net Weight lbs   kg	162.7   73.8
	Gross Weight lbs   kg	192.9   87.5
Outdoor	Net (WxDxH; in.)	37.48x16.34x52.48
	Gross (WxDxH; in.)	43.11x19.49x58.27
	Net Weight lbs   kg	239.86   108.8
	Gross Weight lbs   kg	271.61   123.2

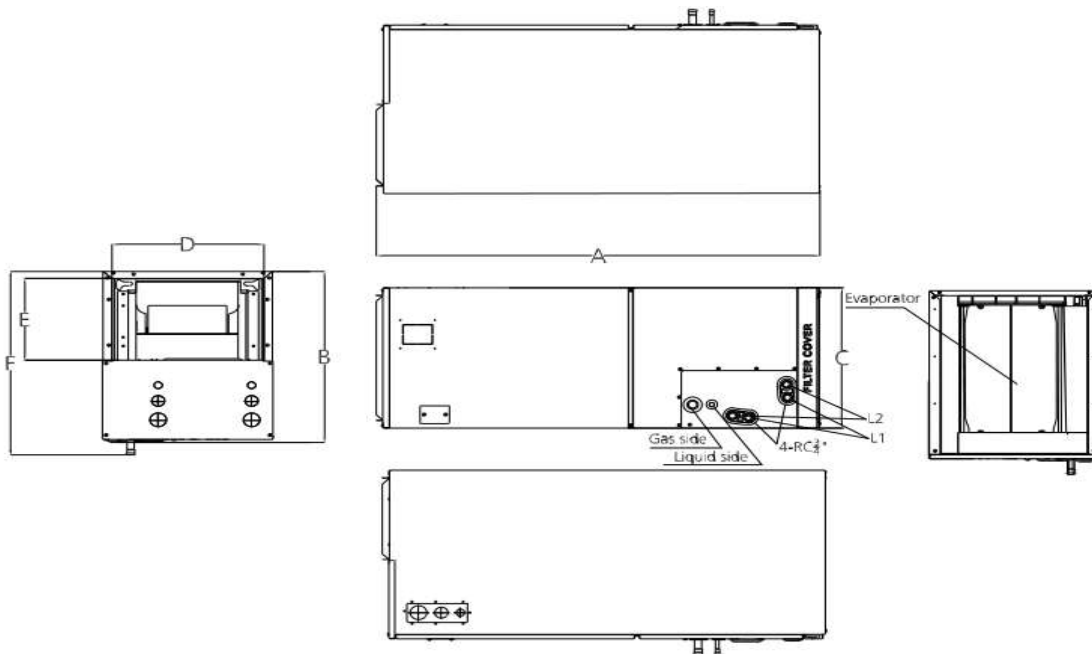
KEY FEATURES	
Rotary Inverter Compressor	<input checked="" type="checkbox"/>
Twin Rotary Inverter Compressor	<input type="checkbox"/>
Base Pan Heater	<input checked="" type="checkbox"/>
Crankcase Heater	<input checked="" type="checkbox"/>

INCLUDED ACCESSORIES	
RG10A(D2S)/BGEFU1 - Remote Controller	
KJR-120N(X6W)/BGEF V1.2 - Wired Controller	
Adaptor for welding(7/8")	
Adaptor for welding(3/8")	

### INDOOR UNIT DRAWING

FAN				
Indoor	Turbo	High	Med.	Low
CFM	1805	1582	1358	1135
dB(A)		51	45.5	41.5
Indoor ESP Range inWG				0-0.80
Indoor Moisture Removal (l/h)				5.55
Outdoor Max. CFM				4500
Outdoor Max. dB(A)				63.5

OPTIONAL ACCESSORIES	
EAH-10B(UL) - 10kW Electric Heater Kit	<input type="checkbox"/>
EAH-15B(UL) - 15kW Electric Heater Kit	<input type="checkbox"/>
EAH-20B(UL) - 20kW Electric Heater Kit	<input type="checkbox"/>
EAH-25B(UL) - 25kW Electric Heater Kit	<input type="checkbox"/>
	<input type="checkbox"/>
	<input type="checkbox"/>
	<input type="checkbox"/>
	<input type="checkbox"/>
	<input type="checkbox"/>
	<input type="checkbox"/>

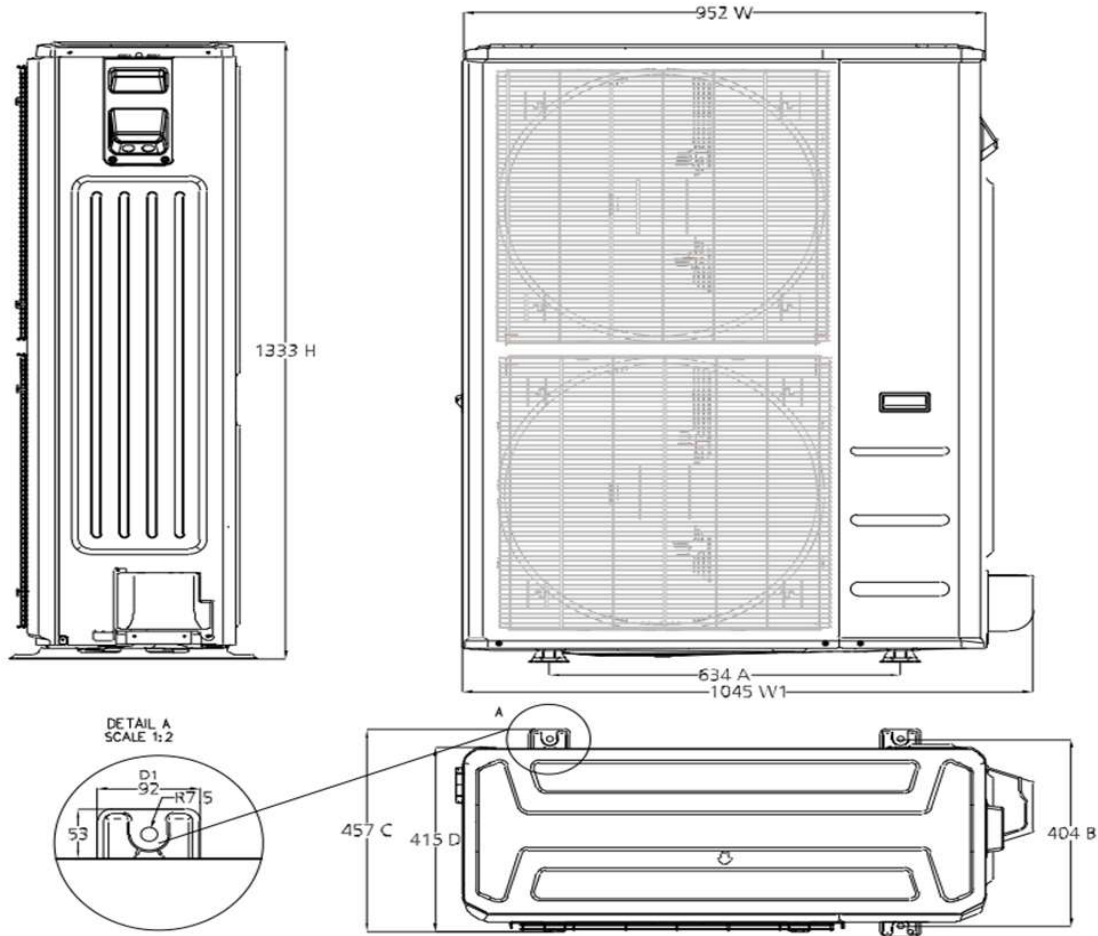


Dimensions D and E are air outlet dimensions.

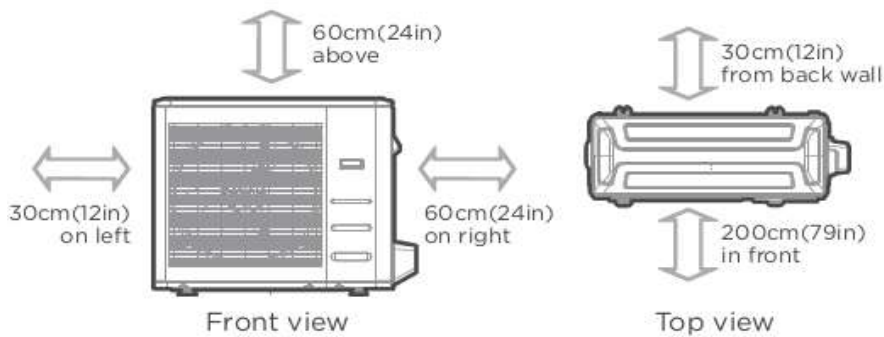
Tag	A	B	C	D	E	F		L1	L2
inches	53	21	24-1/2	22-7/8	10-1/4	23		Main	Overflow
mm	1346	534	622	580	260	585		Drain	Drain

Drawing dimensions are nominal. Specifications subject to change without notice.

**OUTDOOR UNIT DRAWING**



**OUTDOOR UNIT CLEARANCES**



Note: Outdoor units must be elevated 12-24in. (30.5-61cm) above the surface below in heating applications to allow for snow clearance and defrost runoff. Follow local best-practices and guidelines.

Diagrams for reference only.

**NOTES**